



2024 CATALOG



Brilliant Aiming Solutions™



TABLE OF CONTENTS

Company

Trijicon® History _____	4
The Science of Brilliant® _____	6

Magnified Optics

ACOG® _____	10
VCOG® _____	26
AccuPoint® _____	32
Huron® _____	42
Ascent® _____	48
Credo® _____	52
Credo® HX _____	60
Tenmile® _____	66
Tenmile® HX _____	72

Reflex

RMR® _____	80
RMR® HD _____	86
RMR®cc _____	90
RCR™ _____	94
SRO® _____	98
MRO® _____	102
MGRS® _____	108

Iron Sights

Trijicon® Fiber _____	114
DI™ _____	115
Bright & Tough™ _____	116
Suppressor/Optic Height _____	117
HD™ _____	118
HD XR™ _____	119

Electro Optics

REAP-IR® _____	126
IR-HUNTER® _____	130
IR-PATROL® _____	134

Archery

ACOG® XB _____	142
----------------	-----

Accessories

Quick Release Mounts with Q-LOC™ Technology _____	146
Custom Adjustable Turrets _____	150

Customer Care

Warranty _____	153
Returns/Repairs _____	154
Export Controls _____	154
Contact Information _____	155



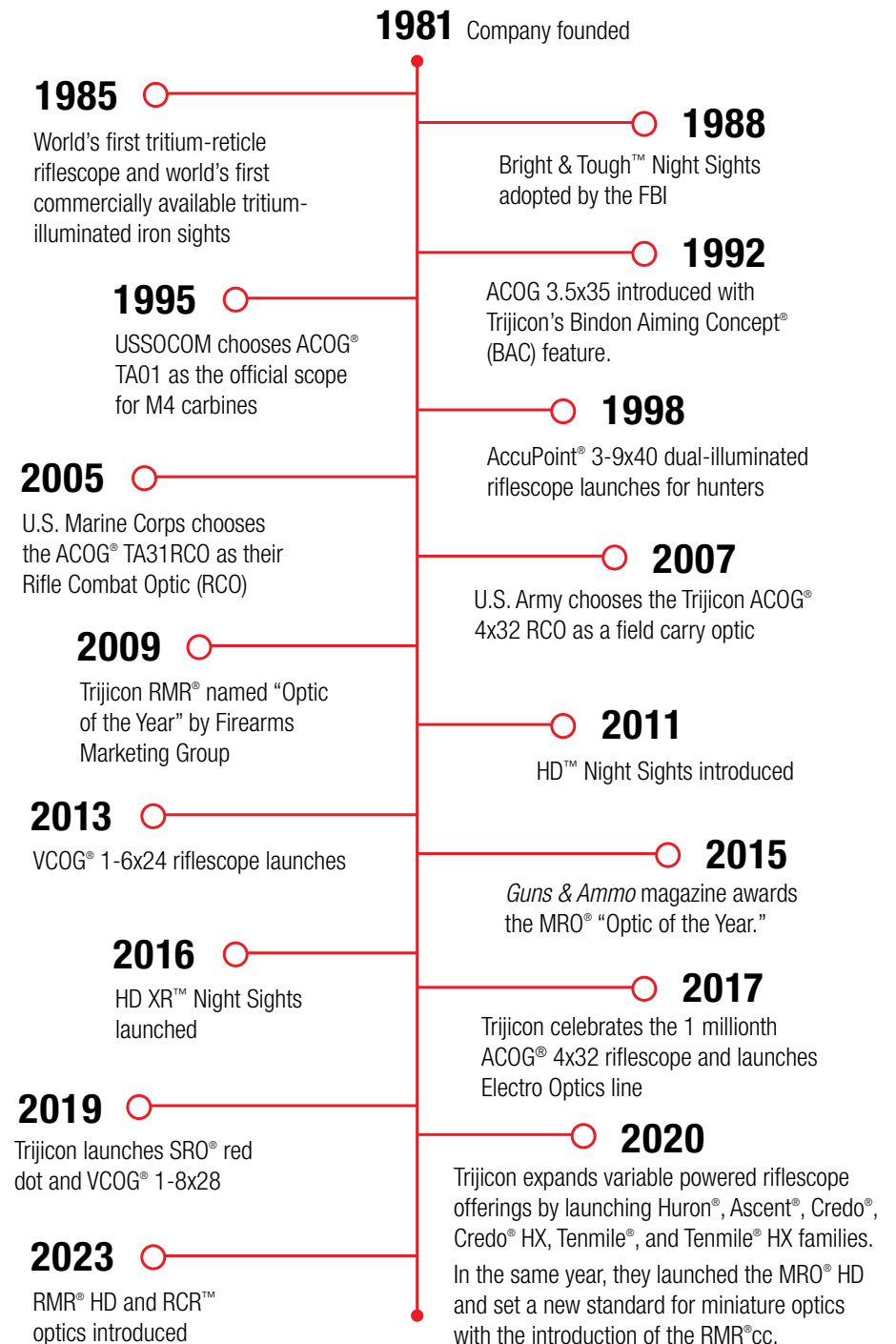
FOR THOSE WHO DEFEND FREEDOM.

AND THOSE WHO ENJOY IT.



Since the company's founding in 1981, Trijicon® has led the industry in the development of superior any-light aiming systems. We support shooting and hunting enthusiasts around the world, as well as the U.S. government and allies, and state and local law enforcement agencies. We currently supply the Official Rifle Combat Optic (RCO) of the U.S. Marine Corps and the official Miniature Aiming System Day Optic for USSOCOM.

COMPANY HIGHLIGHTS



THE SCIENCE OF BRILLIANT®

Like our founder, Glyn Bindon, we are engineers at heart—bound by a commitment to industry-leading research, design, and testing to seek innovative aiming solutions that constantly redefine “brilliant.” This legacy of innovation is fed by what we call The Science of Brilliant®, which is supported by three unwavering principles:

- 1 **Our unique heritage of innovation:** From the ACOG® to Trijicon’s Bindon Aiming Concept® (BAC) feature
- 2 **Industry-leading durability:** What we’ve learned from decades of deployment
- 3 **A commitment to craftsmanship:** A strict adherence to exact tolerances, ISO certifications, and optical perfection



INDUSTRY-LEADING DURABILITY



Alaska-to-Africa Temperature Tested

We perform an “Alaska-to-Africa” temperature shock test on each design with temperatures from -20°F to 140°F.

Immersion Tested

To ensure our products are protected from harsh environmental conditions, we fill them with dry nitrogen and conduct an immersion test on each optic design to ensure no fogging or leaks.

Solid Zero Tested

Riflescope zero is measured on each design after at least 1,000; 3,000; and 5,000 consecutive rounds to ensure no reticle shift has occurred and precision is maintained.

Shock & Vibration Tested

Every model is tested to withstand recoil and vibrational stresses without performance degradation or malfunction, so it can take a beating before, during, and after use.

Drop Tested

We drop test every riflescope design to check for durability. Because we don't believe every drop should be followed by a warranty claim.



MAGNIFIED OPTICS



ACOG®



VCOG®



AccuPoint®



Huron®



Ascent®



Credo®



Credo® HX



Tenmile®



Tenmile® HX



Trijicon

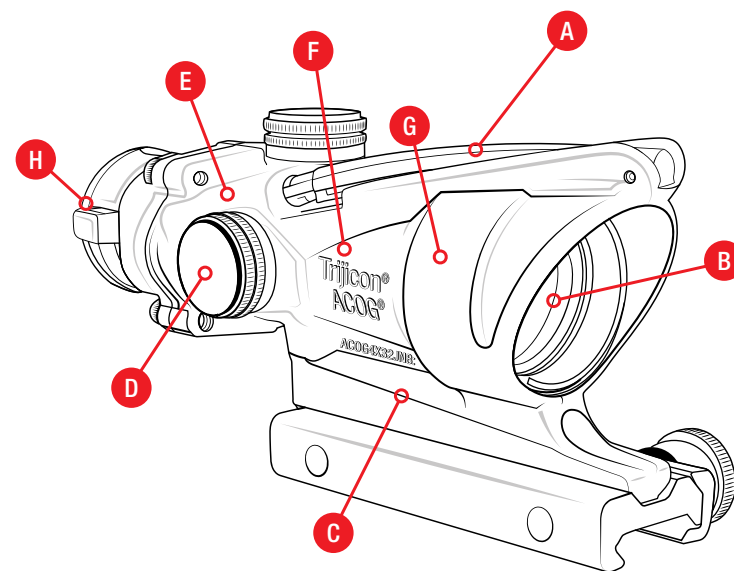
ACOG®

THE SCOPE THAT CHANGED EVERYTHING

There's a reason the Trijicon ACOG® (Advanced Combat Optical Gunsight) is the official medium-distance engagement optic of the U.S. Marine Corps and U.S. Special Operations Forces. And there's a reason why more than one million have been produced. Each one is specifically engineered to provide increased hit potential in all lighting conditions, while also providing legendary durability and reliability.

Features and Benefits

- A Always On, Always Ready**
Most ACOG® models are battery-free, featuring a tritium/fiber optic-illuminated reticle that automatically adjusts the brightness based on available light.
- B Outstanding Clarity**
The quality of the glass and multi-coated lenses maximizes light-gathering capabilities and clear field of view with zero distortion.
- C Rugged Aluminum-Alloy Housing**
Fixed-power design allows for minimal moving parts to create a nearly indestructible sighting system.
- D Exact Target Distances & Holds**
Most ACOG models feature a bullet drop-compensating and target-ranging reticle for decisive aiming.
- E Combat Proven**
No other magnified optic has been used more in combat than the ACOG.
- F Shock-Resistant**
Proven to withstand recoil from a .22LR to a .50BMG and everything in between. Easily passes U.S. Military drop test requirements.
- G Waterproof**
Exceptional waterproof performance. Dry nitrogen-filled to eliminate fogging and tested to perform in both extreme cold and heat.
- H "Both Eyes Open" Design**
Can be used as a CQB sight when shooting 'both eyes open' using Trijicon's Bindon Aiming Concept® (BAC).





	1.5x16S (TA44 Series)	1.5x24 (TA45 Series)	2x20 (TA47 Series)
Magnification	1.5x	1.5x	2x
Objective Lens	16mm	24mm	20mm
Eye Relief	2.4 in. 61.0mm	3.6 in. 91.4mm	2.1 in. 53.3mm
Exit Pupil	0.42 in. 10.7mm	0.63 in. 16.0mm	0.39 in. 10.0mm
Field of View (Degrees)	7.4°	4.9°	5.6°
Field of View	39.0 ft. @ 100 yd. 12.9m @ 100m	25.6 ft. @ 100 yd. 8.6m @ 100m	29.3 ft. @ 100 yd. 9.8m @ 100m
Adjustments (Per in. @ 100 yd.)	2 Clicks	2 Clicks	2 Clicks
Dimensions (L x W x H) Without Mount	4.0 x 1.6 x 2.1 in. 102 x 42 x 53mm	5.8 x 1.6 x 2.1 in. 147 x 42 x 53mm	5.3 x 1.6 x 2.1 in. 135 x 42 x 53mm
Weight Without Mount	5.1 oz. 144.5g	6.3 oz. 179.1g	6.4 oz. 180.6g
Illumination Source	Fiber Optics & Tritium	Fiber Optics & Tritium	Fiber Optics & Tritium
Battery Life	N/A	N/A	N/A
Reticle Calibration	.223 / 9mm	N/A	.223 / 9mm

	3x24 (TA50 Series)	3x30 (TA33 Series)	3.5x35 (TA11 Series)	3.5x35 LED (TA110 Series)
Magnification	3x	3x	3.5x	3.5x
Objective Lens	24mm	30mm	35mm	35mm
Eye Relief	1.4 in. 35.6mm	1.9 in. 48.3mm	2.4 in. 61.0mm	2.4 in. 61.0mm
Exit Pupil	0.31 in. 8.0mm	0.33 in. 8.4mm	0.39 in. 10.0mm	0.39 in. 10.0mm
Field of View (Degrees)	4.9°	3.7°	5.5°	5.5°
Field of View	25.6 ft. @ 100 yd. 8.6m @ 100m	19.3 ft. @ 100 yd. 6.5m @ 100m	28.9 ft. @ 100 yd. 9.6m @ 100m	28.9 ft. @ 100 yd. 9.6m @ 100m
Adjustments (Per in. @ 100 yd.)	2 Clicks	4 Clicks	3 Clicks	2 Clicks per in. @ 100m
Dimensions (L x W x H) Without Mount	5.0 x 1.8 x 2.1 in. 127 x 46 x 53mm	6.1 x 1.6 x 2.1 in. 155 x 42 x 53mm	8.0 x 2.1 x 2.9 in. 203 x 53 x 73mm	8.0 x 3.0 x 2.6 in. 203 x 76 x 66mm
Weight Without Mount	6.1 oz. 173g	7.8 oz. 221.1g	14 oz. 397g	16.8 oz. 476.3g
Illumination Source	Fiber Optics & Tritium	Fiber Optics & Tritium	Fiber Optics & Tritium	LED Powered by a AA Battery
Battery Life	N/A	N/A	N/A	12,000 hours* +
Reticle Calibration	.223 / 7.62x39	.223 / .308 / 7.62x39 / 300 BLK	.223 / .308 / M193 / 300 BLK	.223 / .308

*When used at 70°F (21°C) on setting 4 of 6 with supplied alkaline battery. Extreme temperatures (high or low) will affect battery performance.



	4x32 (TA01)	4x32 BAC (TA31)
Magnification	4x	4x
Objective Lens	32mm	32mm
Eye Relief	1.5 in. 38.1mm	1.5 in. 38.1mm
Exit Pupil	0.32 in. 8.1mm	0.32 in. 8.1mm
Field of View (Degrees)	7.0°	7.0°
Field of View	36.6 ft. @ 100 yd. 12.2 @ 100m	36.6 ft. @ 100 yd. 12.2 @ 100m
Adjustments (Per in. @ 100 yd.)	2 Clicks	2 Clicks
Dimensions (L x W x H) Without Mount	5.8 x 2.0 x 2.3 in. 147 x 51 x 58mm	5.9 x 2.0 x 2.5 in. 150 x 51 x 64mm
Weight Without Mount	10.9 oz. 309g	10.5 oz. 297.5g
Illumination Source	Tritium Only	Fiber Optics & Tritium
Battery Life	N/A	N/A
Reticle Calibration	.223 / .308	.223 / .308 / M193 / 300 BLK / 6.8 SPC

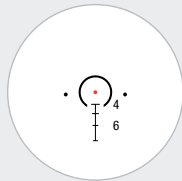
	4x32 LED (TA02)	5.5x50 (TA55)	6x48 (TA648)
Magnification	4x	5.5x	6x
Objective Lens	32mm	50mm	48mm
Eye Relief	1.5 in. 38.1mm	2.2 in. 55.9mm	2.7 in. 68.6mm
Exit Pupil	0.32 in. 8.1mm	0.36 in. 9.1mm	0.32 in. 8.1mm
Field of View (Degrees)	7.0°	3.5°	3.3°
Field of View	36.6 ft. @ 100 yd. 12.2 @ 100m	18.3 ft. @ 100 yd. 6.1m @ 100m	17.3 ft. @ 100 yd. 5.8m @ 100m
Adjustments (Per in. @ 100 yd.)	2 Clicks per in. @ 100m	5 Clicks	4 Clicks
Dimensions (L x W x H) Without Mount	6.0 x 2.9 x 2.5 in. 153 x 74 x 64mm	12.0 x 2.5 x 2.7 in. 305 x 64 x 69mm	9.0 x 2.9 x 3.4 in. 229 x 74 x 86mm
Weight Without Mount	14.3 oz. 406g	25.6 oz. 725.8g	36.9 oz. 1046.1g
Illumination Source	LED Powered by a AA Battery	Fiber Optics & Tritium	Fiber Optics & Tritium
Battery Life	12,000 hours* +	N/A	N/A
Reticle Calibration	.223 / 300 BLK	.223 / .308	.223 / .308 / .50 BMG

*When used at 70°F (21°C) on setting 4 of 6 with supplied alkaline battery. Extreme temperatures (high or low) will affect battery performance.

» NEW

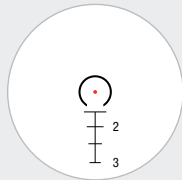
Trijicon Compact ACOG® TAC-R™ Reticles

Trijicon® applies the same engineering expertise to our reticles as every part of our optic designs. Our TAC-R™ series of reticles (Trijicon Advanced Combat Reticles) include numerous features such as BDC stadia lines, target-ranging markings, wind holds, and illumination (which aids both-eyes-open shooting).



RTR™ .223 Reticle 1.5x16S & 2x20 ACOG Models

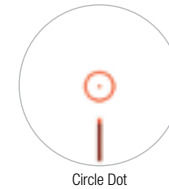
New to the TAC-R series is the RTR™ (Rapid Target Reticle) for the 1.5x16S and 2x20 ACOG® models. The RTR™ .223 reticle includes a bright fiber optic/tritium 2.0 MOA illuminated center dot, BDC holds to 700 yards for .223 REM 55gr. FMJ ammunition and a 16 in. Barrel length, 7.5 MPH crosswind holds at 250 yards, and 19 in. width stadia lines for ranging.



RTR™ 9mm PCC Reticle 1.5x16S & 2x20 ACOG Models

The RTR™ 9mm PCC reticle is specifically designed for 9mm 115gr. FMJ ammunition and a 16 in. Barrel length. There is a bright fiber optic/tritium 2.0 MOA illuminated center dot with a horseshoe shroud to aid in getting the reticle on target quickly. Sight the optic in at 50 yards and the stadia lines provides BDC holds out to 300 yards in addition to being 19 in. width to aid in ranging.

1.5x16S



Circle Dot



RTR™ Rapid Target Reticle (.223 Rem)



RTR™ Rapid Target Reticle (9mm)

Tritium/Fiber Optic-Illuminated Ring / 2 MOA Center Dot Reticle w/ Mount with Trijicon Q-LOC™ Technology

Standard Height:	■ TA44-C-400330	■ TA44-C-400329	
Low Height:	■ TA44-C-400331	■ TA44-C-400333	■ TA44-C-400332

Tritium/Fiber Optic-Illuminated with RTR™ 9mm PCC Reticle, w/ Mount with Trijicon Q-LOC™ Technology

Standard Height: ■ TA44-C-400389

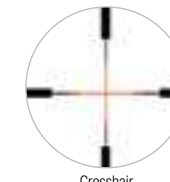
Tritium/Fiber Optic-Illuminated with RTR™ 223 Reticle, w/ Mount with Trijicon Q-LOC™ Technology

Standard Height: ■ TA44-C-400390

1.5x24



Triangle



Crosshair

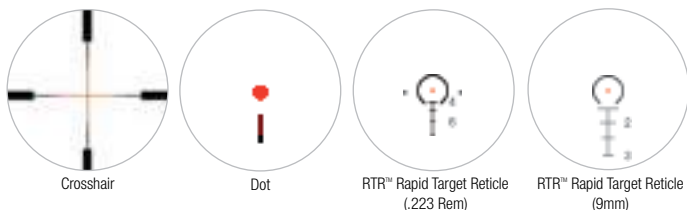
Tritium/Fiber Optic-Illuminated 8 MOA Triangle Reticle w/ Mount with Trijicon Q-LOC™ Technology

Standard Height:	■ TA45-C-400336	■ TA45-C-400334
------------------	-----------------	-----------------

Tritium/Fiber Optic-Illuminated Crosshair Reticle w/ Mount with Trijicon Q-LOC™ Technology

Standard Height:	■ TA45-C-400337	■ TA45-C-400335
------------------	-----------------	-----------------

2x20



Tritium/Fiber Optic-Illuminated Crosshair Reticle w/ Mount with Trijicon Q-LOC™ Technology

Standard Height: ■ TA47-C-400343 ■ TA47-C-400341

Tritium/Fiber Optic-Illuminated 9.2 MOA Triangle Reticle w/ Mount with Trijicon Q-LOC™ Technology

Standard Height: ■ TA47-C-400342

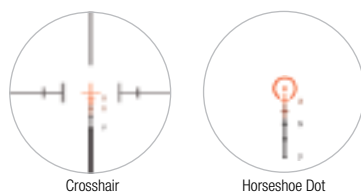
Tritium/Fiber Optic-Illuminated with RTR™ 9mm PCC Reticle, w/ Mount with Trijicon Q-LOC™ Technology

Standard Height: ■ TA47-C-400387

Tritium/Fiber Optic-Illuminated with RTR™ .223 Reticle, w/ Mount with Trijicon Q-LOC™ Technology

Standard Height: ■ TA47-C-400388

3x24



Tritium/Fiber Optic-Illuminated Crosshair .223/55gr. Ballistic Reticle w/ Mount with Trijicon Q-LOC™ Technology

Low Height: ■ TA50-C-400351 ■ TA50-C-400353

Tritium/Fiber Optic-Illuminated Horseshoe/Dot .223/55gr. Ballistic Reticle w/ Mount with Trijicon Q-LOC™ Technology

Standard Height: ■ TA50-C-400348 ■ TA50-C-400350
Low Height: ■ TA50-C-400354 ■ TA50-C-400356

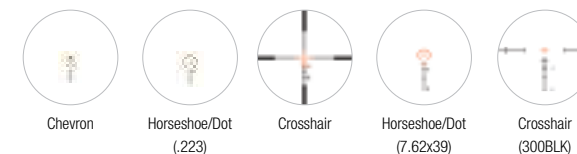
Tritium/Fiber Optic-Illuminated Crosshair 7.62x39mm/123gr. Ballistic Reticle w/ Mount with Trijicon Q-LOC™ Technology

Low Height: ■ TA50-C-400357 ■ TA50-C-400359

Tritium/Fiber Optic-Illuminated Horseshoe/Dot 7.62x39mm/123gr. Ballistic Reticle (Black Finish)

Low Height: ■ TA50-C-400360 ■ TA50-C-400362

3x30



Tritium/Fiber Optic-Illuminated Chevron .223/62gr. Ballistic Reticle w/ Mount with Trijicon Q-LOC™ Technology

Standard Height: ■ TA33-C-400378 ■ TA33-C-400371 ■ TA33-C-400363

Tritium/Fiber Optic-Illuminated Chevron 7.62x51mm/175gr. Ballistic Reticle w/ Mount with Trijicon Q-LOC™ Technology

Standard Height: ■ TA33-C-400379 ■ TA33-C-400364

Tritium/Fiber Optic-Illuminated Crosshair .223/69gr. Remington Ballistic Reticle w/ Mount with Trijicon Q-LOC™ Technology

Standard Height: ■ TA33-C-400368

Tritium/Fiber Optic-Illuminated Horseshoe/Dot 7.62x39/123gr. Ballistic Reticle w/ Mount with Trijicon Q-LOC™ Technology

Standard Height: ■ TA33-C-400377 ■ TA33-C-400370

Tritium/Fiber Optic-Illuminated Horseshoe/Dot 5.56x45mm/62gr. Ballistic Reticle w/ Mount with Trijicon Q-LOC™ Technology

Standard Height: ■ TA33-C-400380 ■ TA33-C-400373

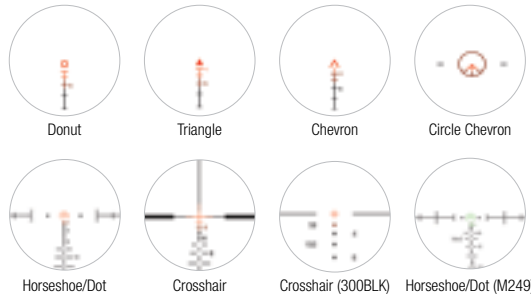
Tritium/Fiber Optic-Illuminated Crosshair .308/168gr. Winchester Ballistic Reticle w/ Mount with Trijicon Q-LOC™ Technology

Standard Height: ■ TA33-C-400376

Tritium/Fiber Optic-Illuminated Crosshair 300BLK 115/220gr. Ballistic Reticle w/ Mount with Trijicon Q-LOC™ Technology

Standard Height: ■ TA33-C-400383 ■ TA33-C-400382 ■ TA33-C-400381

3.5x35



Tritium/Fiber Optic-Illuminated Donut 5.56/.223 Ballistic Reticle

Black: ■ TA11

Tritium/Fiber Optic-Illuminated Chevron 5.56/.223 Ballistic Reticle with Thumbscrew Mount

Black: ■ TA11F ■ TA11F-G ■ TA11F-A

Tritium/Fiber Optic-Illuminated Chevron 7.62/.308 Ballistic Reticle with Thumbscrew Mount

Black: ■ TA11E ■ TA11E-G ■ TA11E-A

Tritium/Fiber Optic-Illuminated Chevron M193 Reticle with Thumbscrew Mount

Black: ■ TA11-D-100291 ■ TA11-D-100293

Tritium/Fiber Optic-Illuminated Horseshoe/Dot 5.56/.223 Ballistic Reticle with Thumbscrew Mount

Black: ■ TA11H ■ TA11H-G

Tritium/Fiber Optic-Illuminated Horseshoe/Dot .308 M240 BDC Reticle with Thumbscrew Mount

Black: ■ TA11H-308 ■ TA11H-308G

Tritium/Fiber Optic-Illuminated Crosshair 5.56/.223 Ballistic Reticle with Thumbscrew Mount

Black: ■ TA11J ■ TA11J-G

Tritium/Fiber Optic-Illuminated Crosshair 7.62/.308 Ballistic Reticle with Thumbscrew Mount

Black: ■ TA11J-308 ■ TA11J-308G

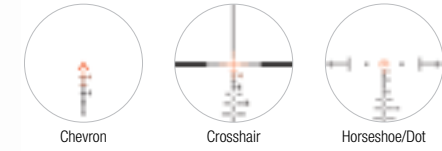
Tritium/Fiber Optic-Illuminated Crosshair 300 BLK Ballistic Reticle with Thumbscrew Mount

Black: ■ TA11-C-100414 ■ TA11-C-100416

Tritium/Fiber Optic-Illuminated Horseshoe/Dot M249 Ballistic Reticle with Thumbscrew Mount and ARD

Black: ■ TA11MGO-M249

3.5x35 LED



LED-Illuminated Chevron 5.56/.223 Ballistic Reticle with Thumbscrew Mount

Black: ■ TA110-C-100491 ■ TA110-C-100492

LED-Illuminated Chevron 7.62/.308 Ballistic Reticle with Thumbscrew Mount

Black: ■ TA110-C-100497 ■ TA110-C-100498

LED-Illuminated Crosshair 5.56/.223 Ballistic Reticle with Thumbscrew Mount

Black: ■ TA110-D-100495 ■ TA110-D-100496

LED-Illuminated Crosshair 7.62/.308 Ballistic Reticle with Thumbscrew Mount

Black: ■ TA110-D-100501 ■ TA110-D-100502

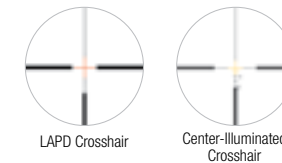
LED-Illuminated Horseshoe/Dot 5.56/.223 Ballistic Reticle with Thumbscrew Mount

Black: ■ TA110-D-100493 ■ TA110-D-100494

LED-Illuminated Horseshoe/Dot 7.62/.308 Ballistic Reticle with Thumbscrew Mount

Black: ■ TA110-D-100499 ■ TA110-D-100500

4x32



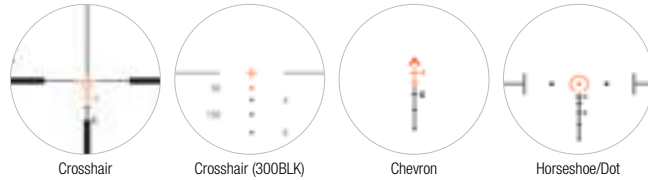
Center-Illuminated Crosshair 5.56/.223 Ballistic Reticle, Thumbscrew Mount, Backup Iron Sights and Dust Cover

Black: ■ TA01NSN
 OD Green: ■ TA01-D-100318
 FDE: ■ TA01-D-100319

Center-Illuminated Crosshair 7.62/.308 Ballistic Reticle, Thumbscrew Mount, Backup Iron Sights and Dust Cover

Black: ■ TA01NSN-308

4x32 LED



LED-Illuminated Crosshair 5.56/.223 Ballistic Reticle with Thumbscrew Mount

Black: ■ TA02 ■ TA02-C-100390

LED-Illuminated Crosshair 300 BLK Ballistic Reticle with Thumbscrew Mount

Black: ■ TA02-C-100431 ■ TA02-C-100432

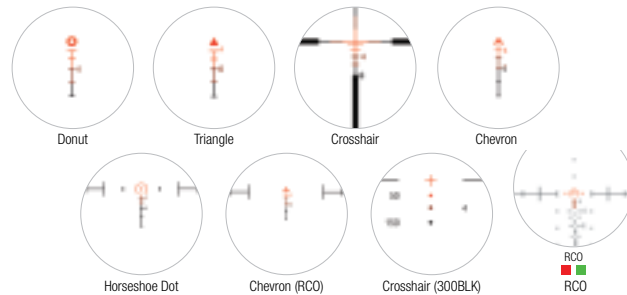
LED-Illuminated Chevron 5.56/.223 Ballistic Reticle with Thumbscrew Mount

Black: ■ TA02-D-100393 ■ TA02-D-100391

LED-Illuminated Horseshoe/Dot 5.56/.223 Ballistic Reticle with Thumbscrew Mount

Black: ■ TA02-D-100394 ■ TA02-D-100392

4x32 BAC



Tritium/Fiber Optic-Illuminated Donut 5.56/.223 Ballistic Reticle

Black: ■ TA31 ■ TA31-G

Tritium/Fiber Optic-Illuminated Triangle 5.56/.223 Ballistic Reticle

Black: ■ TA31A

Tritium/Fiber Optic-Illuminated Crosshair 5.56/.223 Ballistic Reticle with Thumbscrew Mount

Black: ■ TA31-CH ■ TA31-CH-G
 Sniper Gray: ■ TA31-C-100370 ■ TA31-C-100378
 OD Green: ■ TA31-C-100379 ■ TA31-C-100378
 FDE: ■ TA31-C-100372 ■ TA31-C-100380

Tritium/Fiber Optic-Illuminated Chevron 5.56/.223 Ballistic Reticle with Thumbscrew Mount

Black: ■ TA31F ■ TA31F-G ■ TA31F-A
 Sniper Gray: ■ TA31-D-100308 ■ TA31-D-100311
 OD Green: ■ TA31-D-100309 ■ TA31-D-100312
 FDE: ■ TA31-D-100310 ■ TA31-D-100313

Tritium/Fiber Optic-Illuminated Chevron M193 Reticle with Thumbscrew Mount

Black: ■ TA31-D-100288 ■ TA31-D-100290

Tritium/Fiber Optic-Illuminated Horseshoe/Dot 5.56/.223 Ballistic Reticle with Thumbscrew Mount

Black: ■ TA31H ■ TA31H-G ■ TA31H-A
 Sniper Gray: ■ TA31-D-100365
 OD Green: ■ TA31-D-100366
 FDE: ■ TA31-D-100367

Tritium/Fiber Optic-Illuminated Horseshoe/Dot 6.8 SPC Ballistic Reticle with Thumbscrew Mount

Black: ■ TA31H-68 ■ TA31H-68-G

Tritium/Fiber Optic-Illuminated ARMY Rifle Combat Optic for the M150 with Chevron Reticle and Thumbscrew Mount

Black: ■ TA31RCO-M150CP ■ TA31RCO-M150CP-G

Tritium/Fiber Optic-Illuminated USMC Rifle Combat Optic for the M4 with Chevron Reticle and Thumbscrew Mount

Black: ■ TA31RCO-M4CP

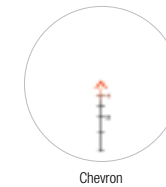
Tritium/Fiber Optic-Illuminated USMC Rifle Combat Optic for the A4 with Chevron Reticle and Thumbscrew Mount

Black: ■ TA31RCO-A4CP

Tritium/Fiber Optic-Illuminated Crosshair 300 BLK Ballistic Reticle with Thumbscrew Mount

Black: ■ TA31-C-100411 ■ TA31-C-100413

5.5x50



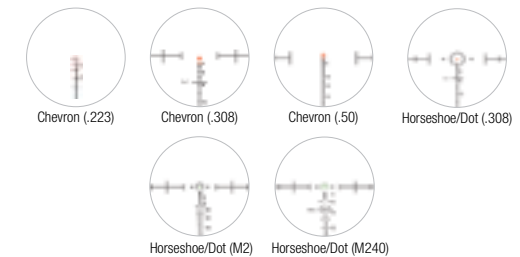
Tritium/Fiber Optic-Illuminated Chevron 5.56/.223 Ballistic Reticle with Thumbscrew Mount

Black: ■ TA55

Tritium/Fiber Optic-Illuminated Chevron 7.62/.308 Ballistic Reticle with Thumbscrew Mount

Black: ■ TA55A

6x48



Tritium/Fiber Optic-Illuminated Chevron 7.62/.308 Ballistic Reticle with Thumbscrew Mount & M1913 Rail

Black: ■ TA648-308 ■ TA648-308G

Tritium/Fiber Optic-Illuminated Chevron .50 BMG Ballistic Reticle with Thumbscrew Mount & M1913 Rail

Black: ■ TA648-50

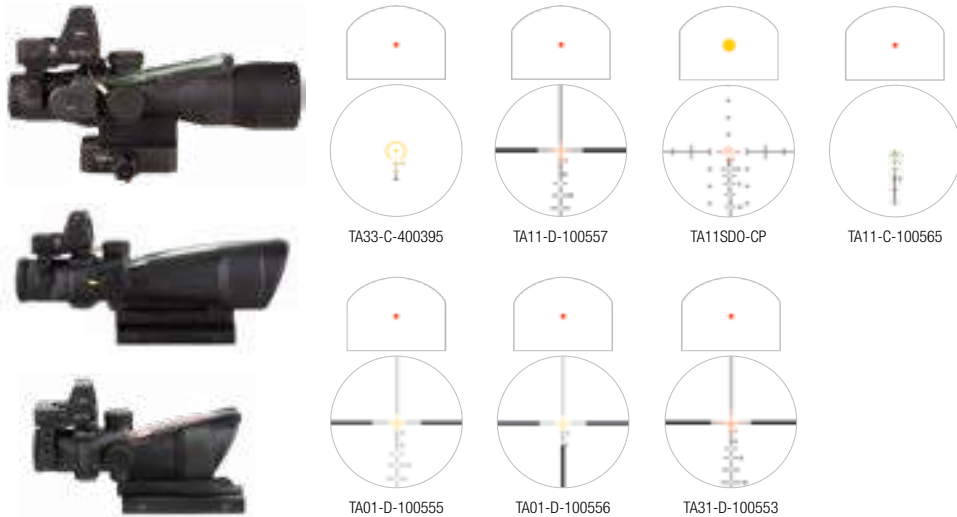
Tritium/Fiber Optic-Illuminated Horseshoe/Dot 7.62/.308 Ballistic Reticle with Thumbscrew Mount & M1913 Rail

Black: ■ TA648-308H

Tritium/Fiber Optic-Illuminated Horseshoe/Dot M240 Ballistic Reticle, Thumbscrew Mount, ARD & M1913 Rail

Black: ■ TA648MGO-M240

ACOG®/RMR® Combo



3x30 ACOG® Tritium/Fiber Optic-Illuminated Horseshoe/Dot 5.56/.223 Ballistic Reticle with Thumbscrew Mount LED RMR® 3.25 MOA Red Dot Sight

Black: ■ TA33-C-400395 ■ TA33-C-400394

3.5x35 ACOG Tritium/Fiber Optic-Illuminated Crosshair 5.56/.223 Ballistic Reticle with Thumbscrew Mount LED RMR 3.25 MOA Red Dot Sight

Black: ■ TA11-D-100557

3.5x35 ACOG Tritium/Fiber Optic-Illuminated Crosshair M249 Ballistic Reticle with LaRue Tactical Mount RMR 9.0 MOA Amber Dot Sight

Black: ■ TA11SD0-CP

3.5x35 ACOG Tritium/Fiber Optic-Illuminated Chevron 5.56/.223 Ballistic Reticle with Thumbscrew Mount Adjustable LED RMR 3.25 MOA Red Dot Sight

Black: ■ TA11-C-100565

4x32 ACOG Center-Illuminated Crosshair .223 Ballistic Reticle with BUIS, Quick-Release Mount LED RMR 3.25 MOA Red Dot Sight

FDE: ■ TA01-D-100555

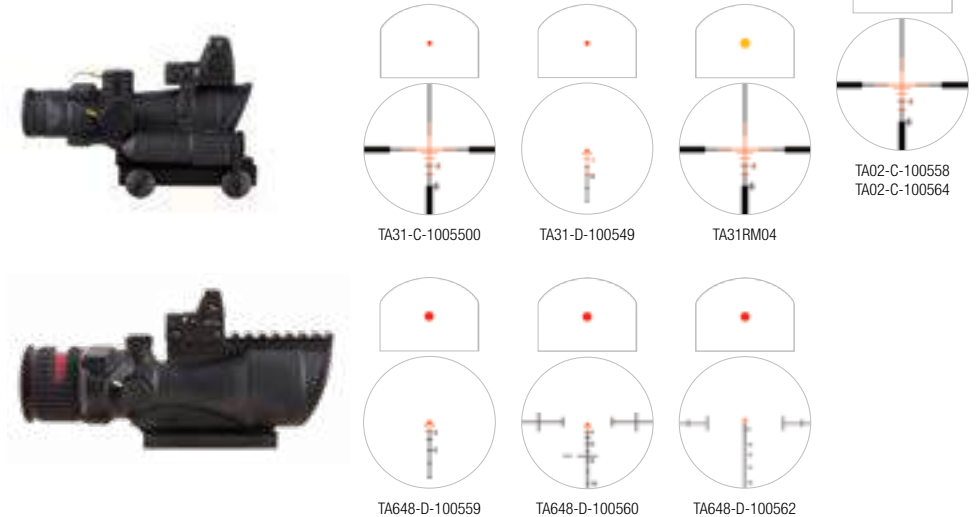
4x32 ACOG Center-Illuminated Crosshair 5.56/.223 Ballistic Reticle with Thumbscrew Mount LED RMR 3.25 MOA Red Dot Sight

Black: ■ TA01-D-100556

4x32 ACOG Tritium/Fiber Optic-Illuminated Crosshair 5.56/.223 Ballistic Reticle with BUIS, Quick-Release Mount LED RMR 3.25 MOA Red Dot Sight

FDE: ■ TA31-D-100553 ■ TA31-D-100554

ACOG®/RMR® Combo



4x32 ACOG® Tritium/Fiber Optic-Illuminated Crosshair 5.56/.223 Ballistic Reticle with Thumbscrew Mount LED RMR® 3.25 MOA Red Dot Sight

Black: ■ TA31-C-100550 ■ TA31-C-100551 ■ TA31-C-100552

4x32 ACOG Tritium/Fiber Optic-Illuminated Chevron 5.56/.223 Ballistic Reticle with Thumbscrew Mount LED RMR 3.25 MOA Red Dot Sight

Black: ■ TA31-D-100549 ■ TA31-D-100548
 Sniper Gray: ■ TA31-D-100568
 OD Green: ■ TA31-D-100569
 FDE: ■ TA31-D-100570

4x32 ACOG Tritium/Fiber Optic-Illuminated Crosshair 5.56/.223 Ballistic Reticle with Thumbscrew Mount RMR 7.0 MOA Amber Dot Sight

Black: ■ TA31RM04

4x32 LED ACOG Illuminated Crosshair 5.56/.223 Ballistic Reticle with Thumbscrew Mount LED RMR 3.25 MOA Red Dot Sight

Black: ■ TA02-C-100558

4x32 LED ACOG Illuminated Crosshair 5.56/.223 Ballistic Reticle with Thumbscrew Mount Adjustable LED RMR 3.25 MOA Red Dot Sight

Black: ■ TA02-C-100564

6x48 ACOG Tritium/Fiber Optic-Illuminated Chevron 7.62/.308 Ballistic Reticle with Thumbscrew Mount LED RMR 6.5 MOA Red Dot Sight

Black: ■ TA648-D-100560

Reticles not shown to scale. For a full view of reticles, please visit our website at Trijicon.com.

Reticles not shown to scale. For a full view of reticles, please visit our website at Trijicon.com.



Trijicon

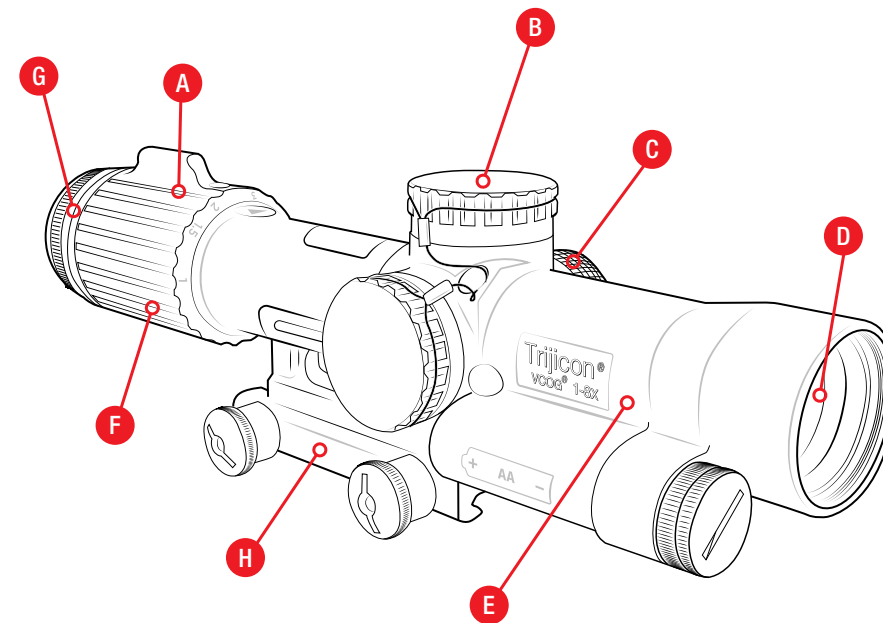
VCOG®

EXTREME DURABILITY. ABSOLUTE PRECISION.

The Trijicon VCOG® (Variable Combat Optical Gunsight) is a highly rugged, illuminated, variable magnification riflescope designed for close-quarter battle (CQB) and long-distance marksmanship. Known for its nearly indestructible design, first focal plane reticle and outstanding glass quality, the VCOG was selected as the USMC Squad Common Optic (SCO) and is trusted today by the U.S. Military, law enforcement and 3-Gun competitors to take a beating and maintain zero.

Features and Benefits

- A Quick Magnification Adjustments**
Integrated dial fin allows easy rotation through magnification settings.
- B Easy-To-Set Adjusters**
Adjustments are easy and precise—without requiring tools.
- C Adjustable Brightness Settings**
11 brightness settings (1-8x28);
6 brightness settings (1-6x24)
- D Superior Quality Glass**
Multi-coated lenses provide superior clarity and light-gathering capabilities with zero distortion.
- E Rugged & Durable**
Tested to MIL-STD-810G, a series of tests approved by the U.S. Department of Defense to simulate conditions in the field.
- F Waterproof to 66 ft/20m.**
Dry nitrogen-filled to eliminate fogging.
- G Quick, Accurate Ranging Reticles**
1-6x24 offers BDC or Universal MRAD and MOA reticles; 1-8x28 offers Universal MRAD and MOA reticles.
- H Easily Mounts to Firearms with Standard Picatinny Rail**
Integrated mounting solution allows the optic to be mounted out of the box. No conventional scope rings needed.





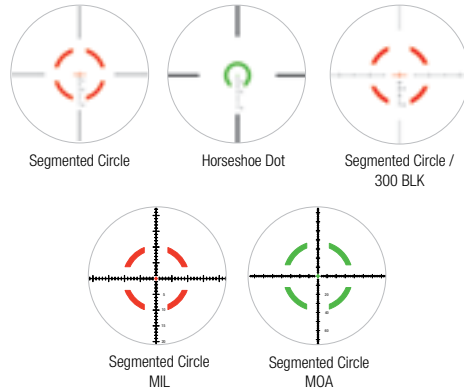
	1-6x24 (VC16 Series)
Magnification	1-6x
Objective Lens	24mm
Focal Plane	First
Eye Relief	4 in. Constant 101.6mm
Exit Pupil	0.41 – 0.15 in. 10.4 – 3.8mm
Field of View (Degrees)	18.0 – 3.0°
Field of View	95 – 15.9 ft. @ 100 yd. 31.7 – 5.3m @ 100m
Adjustments	MOA / MIL .25 MOA / .1 MIL Per Click
Adjustment Range (Elevation and Windage)	90 MOA Total Travel (35 MOA Per Revolution)
Dimensions (L x W x H)	10.05 x 2.51 x 2.73 in. 255 x 64 x 69mm
Weight	23.2 oz. (w/o Mount or Battery) 657.7g
Illumination Source	LED Powered by a Single Lithium or Alkaline AA Battery
Battery Life	700 Hours (Red) 1400 Hours (Green) Continuous Use at Brightness Setting 4 of 6* (Lithium Battery)
Brightness Settings	6



	1-8x28 (VC18 Series)
Magnification	1-8x
Objective Lens	28mm
Focal Plane	First
Eye Relief	4 – 3.9 in. 102 – 99mm
Exit Pupil	0.46 – 0.15 in. 11.8 – 3.5mm
Field of View (Degrees)	20.0 – 2.5°
Field of View	109.2 – 13.1 ft. @ 100 yd. 36.4 – 4.4m @ 100m
Adjustments	MOA / MRAD .25 MOA / .1 MRAD Per Click
Adjustment Range (Elevation and Windage)	120 MOA Total Travel (20 MOA Per Revolution)
Dimensions (L x W x H)	10.8 x 2.8 x 2.8 in. 274.3 x 71.1 x 71.1mm
Weight	31.5 oz. (w/o Mount or Battery) 893g
Illumination Source	LED Powered by a Single Lithium or Alkaline AA Battery
Battery Life	633 Hours (26.4 Days) Continuous Use at Brightness Setting 6
Brightness Settings	11

*When used at 70°F (21°C). Extreme temperatures (high or low) will affect lithium battery performance.

1-6x24



Segmented Circle / Crosshair .223 / 55 Grain Ballistic Reticle

Thumbscrew Mount: ■ VC16-C-1600000 ■ VC16-C-1600040

Segmented Circle / Crosshair .223 / 77 Grain Ballistic Reticle

Thumbscrew Mount: ■ VC16-C-1600001 ■ VC16-C-1600041

Segmented Circle / Crosshair .308 / 175 Grain Ballistic Reticle

Thumbscrew Mount: ■ VC16-C-1600004 ■ VC16-C-1600044

Horseshoe Dot / Crosshair .223 / 55 Grain Ballistic Reticle

Thumbscrew Mount: ■ VC16-C-1600002 ■ VC16-C-1600042

Horseshoe Dot / Crosshair .223 / 77 Grain Ballistic Reticle

Thumbscrew Mount: ■ VC16-C-1600003 ■ VC16-C-1600043

Horseshoe Dot / Crosshair .308 / 175 Grain Ballistic Reticle

Thumbscrew Mount: ■ VC16-C-1600005 ■ VC16-C-1600045

Segmented Circle / Crosshair 300 BLK Ballistic Reticle

Thumbscrew Mount: ■ VC16-C-1600006 ■ VC16-C-1600046

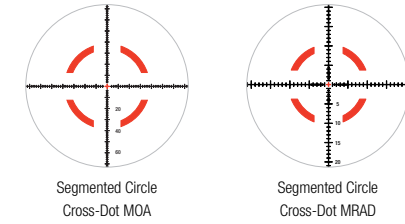
Segmented Circle / Crosshair MOA

Thumbscrew Mount: ■ VC16-C-1600035 ■ VC16-C-1600036

Segmented Circle / Crosshair MIL

Thumbscrew Mount: ■ VC16-D-1600037 ■ VC16-D-1600038

1-8x28



Segmented MOA Crosshair Dot Reticle, Thumb Screw Mount

■ VC18-C-2400001

Segmented MRAD Crosshair Dot Reticle, Thumb Screw Mount

■ VC18-C-2400003

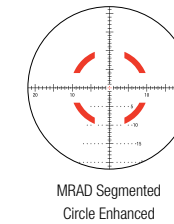
Segmented MOA Crosshair Dot Reticle w/ Mount with Trijicon Q-LOC™ Technology

■ VC18-C-2400013

Segmented MRAD Crosshair Dot Reticle w/ Mount with Trijicon Q-LOC™ Technology

■ VC18-C-2400014

1-8x28 SCO



MRAD Segmented Circle Enhanced Reticle, Flip caps, w/ Larue Tactical® LT799 Mount

■ VC18-C-2400012





Trijicon

AccuPoint®

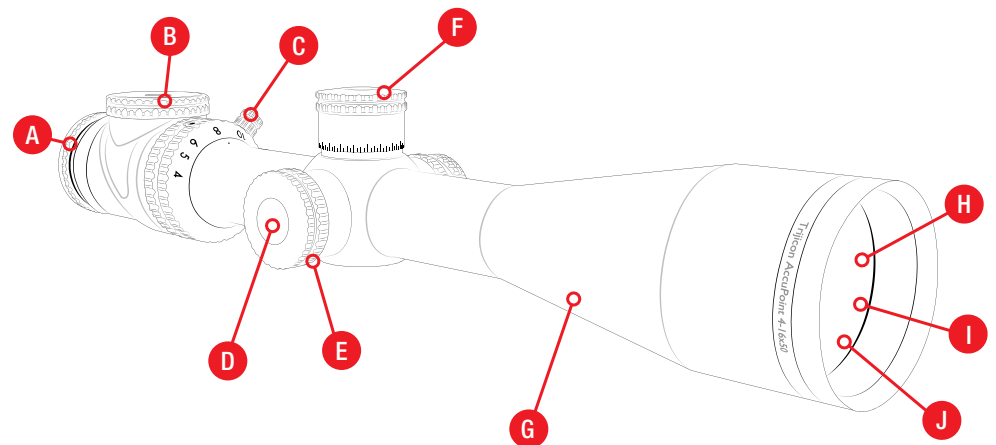
BUILT FOR PERFECTIONISTS BY PERFECTIONISTS.

The Trijicon AccuPoint® is a premium, variable-powered sporting riflescope featuring a battery-free illuminated reticle, superior glass clarity, and rugged construction. Designed to stand up to the elements, the AccuPoint maintains the refinement needed for precise windage and elevation adjustments.

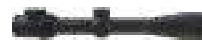
The multi-layer, coated lenses provide superior light transmission, while the illuminated reticle aids in quick target engagement.

Features and Benefits

- A Easy-Focus Eyepiece**
Diopter accommodates the shooter's individual prescription.
- B Confident Aiming in Any Light**
Battery-free, illuminated reticles are "always on" using Tritium/Fiber Optic to automatically adjust to lighting conditions.
- C Ideal Function & Position**
Repositionable magnification lever accommodates different shooting positions and rifle configurations. Available on higher magnification models.
- D Quick & Easy Adjustments**
Crisp, precise, windage/elevation adjusters require no tools and are designed to prevent accidental shift.
- E Purpose-Driven Design**
Multiple finishes, knurling types, and adjuster styles to suit a variety of applications.
- F Optimal Flexibility**
Generous windage and elevation adjustment for maximum total travel.
- G Ultra Durable for Ensured Reliability**
Ruggedized design engineered to withstand extreme conditions and tested to military standards and protocols.
- H Edge-to-Edge Clarity**
Fully multi-coated, broadband, anti-reflective glass provides excellent light transmission, true detail and color, with zero distortion.
- I "Both-Eyes-Open" Shooting**
Illuminated reticles provide a clear aiming point that draws the shooter's eye for fast engagement.
- J Quick Target Acquisition**
Proven reticle designs for the most discerning hunters, ensuring fast ranging and holdovers.



Specifications



	1-4x24 (TR24 Series)	1-6x24 (TR25 Series)	2.5-10x56 (TR22 Series)
Eye Relief	2.0 – 3.5 in. 52 – 88mm	2.8 – 5.0 in. 71 – 127mm	2.8 – 4.6 in. 71 – 117mm
Exit Pupil	0.69 – 0.20 in. 17.5 – 5.1mm	0.47 – 0.16 in. 12 – 4.1mm	0.64 – 0.22 in. 16.3 – 5.6mm
Field of View (@ 100 yd.) (@ 100m) (degrees)	97.5 – 24.2 ft. 32.5 – 8.1m 18.0° – 4.6°	117.5 – 18.8 ft. 39.2 – 6.3m 21.4° – 3.6°	37.6 – 10.1 ft. 12.5 – 3.4m 7.2° – 1.9°
Focal Plane	Second	Second	Second
Adjuster Style	Capped	Capped	Capped
Adjustments	1/4 MOA Per Click	1/4 MOA Per Click 0.1 MIL Per Click	1/4 MOA Per Click
Adjustment Range Total Travel	90 MOA	110 MOA / 32.6 MIL	60 MOA
Parallax Adjustment Range	N/A	N/A	N/A
Finish	Matte	Matte	Matte
Fiber Adjustment Type	Fiber Strip	Fiber Dial	Fiber Strip
Dimensions (L x W x H)	10.3 x 2.0 x 2.0 in.	11.0 x 2.0 x 2.0 in.	13.8 x 2.6 x 2.6 in.
Weight	14.4 oz.	19.2 oz.	20.7 oz.
Illumination Source	Fiber Optics & Tritium	Fiber Optics & Tritium	Fiber Optics & Tritium
Tube Diameter	30mm	30mm	30mm

	2.5-12.5x42 (TR26 Series)	3-9x40 (TR20 Series)	3-18x50 (TR34 Series)	4-16x50 (TR31 Series)
	3.3 – 3.9 in. 84 – 99mm	2.2 – 3.8 in. 56 – 97mm	3.4 – 4.0 in. 87 – 101mm	3.1 – 3.8 in. 78 – 96mm
	0.42 – 0.13 in. 10.6 – 3.3mm	0.52 – 0.17 in. 13.3 – 4.4mm	0.45 – 0.11 in. 11.4 – 2.8mm	0.33 – 0.12 in. 8.5 – 3.1mm
	41.3 – 8.3 ft. 13.8 – 2.8m 7.8° – 1.6°	33.8 – 11.3 ft. 11.3 – 3.8m 6.5° – 2.2°	34.7 – 5.8 ft. 11.6 – 1.9m 6.62° – 1.11°	28.5 – 7.1 ft. 9.5 – 2.4m 5.43° – 1.36°
	Second	Second	Second	Second
	Capped	Capped	Exposed / Capped	Exposed / Capped
	1/4 MOA Per Click 0.1 MIL Per Click	1/4 MOA Per Click	1/4 MOA Per Click	1/4 MOA Per Click 0.1 MRAD Per Click
	90 MOA / 26.1 MIL	40 MOA / 11.6 MIL	60 MOA	70 MOA (C) / 70 MOA (C) 100 MOA (E) / 70 MOA (C) 29 MRAD (E) / 20.1 MRAD (C)
	10 yds. to Infinity	N/A	15 yds. to Infinity	10 yds. to Infinity
	Matte	Matte	Satin	Matte / Satin
	Fiber Dial	Fiber Strip	Fiber Dial	Fiber Dial
	13.8 x 2.4 x 2.3 in.	12.4 x 1.9 x 1.9 in.	14.81 x 2.87 x 2.76 in.	14.4 x 2.9 x 2.4 in.
	22.4 oz.	13.4 oz.	27.1 oz.	25.9 – 26.8 oz.
	Fiber Optics & Tritium	Fiber Optics & Tritium	Fiber Optics & Tritium	Fiber Optics & Tritium
	30mm	1 in.	30mm	30mm

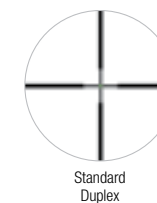
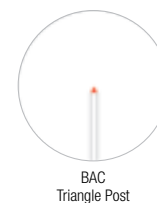
(E) = Exposed Adjusters (C) = Capped Adjusters

Specifications



	4-24x50 (TR32 Series)	5-20x50 (TR33 Series)
Eye Relief	3.1 – 3.8 in. 78 – 96mm	3.1 – 3.8 in. 78 – 96mm
Exit Pupil	0.33 – 0.08 in. 8.5 – 2.1mm	0.3 – 0.10 in. 7.8 – 2.5mm
Field of View (@ 100 yd.) (@ 100m) (degrees)	28.5 – 4.7 ft. 9.5 – 1.6m 5.43° – 0.91°	22.8 – 5.7 ft. 7.6 – 1.9m 4.35° – 1.09°
Focal Plane	Second	Second
Adjuster Style	Exposed / Capped	Exposed / Capped
Adjustments	1/4 MOA Per Click	1/4 MOA Per Click 0.1 MRAD Per Click
Adjustment Range Total Travel	100 MOA Elevation 70 MOA Windage	100 MOA / 29 MRAD Elevation 70 MOA / 20.4 MRAD Windage
Parallax Adjustment Range	10 yds. to Infinity	10 yds. to Infinity
Finish	Satin	Matte / Satin
Fiber Adjustment Type	Fiber Dial	Fiber Dial
Dimensions (L x W x H)	14.4 x 2.9 x 2.4 in.	14.4 x 2.9 x 2.4 in.
Weight	26.8 oz.	26.8 – 26.9 oz.
Illumination Source	Fiber Optics & Tritium	Fiber Optics & Tritium
Tube Diameter	30mm	30mm

1-4x24



BAC, Triangle Post Reticle, 30mm Tube, Capped Adjusters

Matte Black: ■ TR24G ■ TR24 ■ TR24R

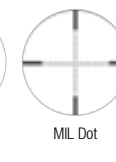
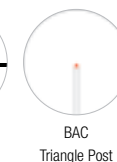
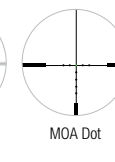
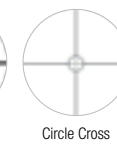
German #4 Crosshair, 30mm Tube, Capped Adjusters

Matte Black: ■ TR24-3G

Standard Duplex Crosshair, 30mm Tube, Capped Adjusters

Matte Black: ■ TR24-C-200071 ■ TR24-C-200070

1-6x24



Standard Duplex Crosshair, 30mm Tube, Capped Adjusters

Matte Black: ■ TR25-C-200080

German #4 Crosshair, 30mm Tube, Capped Adjusters

Matte Black: ■ TR25-C-200083

Circle-Cross Crosshair, 30mm Tube, Capped Adjusters

Matte Black: ■ TR25-C-200086

MOA-Dot Crosshair, 30mm Tube, Capped Adjusters

Matte Black: ■ TR25-C-200089

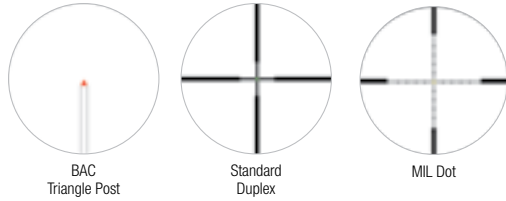
BAC, Triangle Post Reticle, 30mm Tube, Capped Adjusters

Matte Black: ■ TR25-C-200092 ■ TR25-C-200091 ■ TR25-C-200090

MIL-Dot Crosshair, 30mm Tube, Capped Adjusters

Matte Black: ■ TR25-C-200095

2.5-10x56



BAC, Triangle Post Reticle, 30mm Tube, Capped Adjusters

Matte Black: ■ TR22G ■ TR22 ■ TR22R

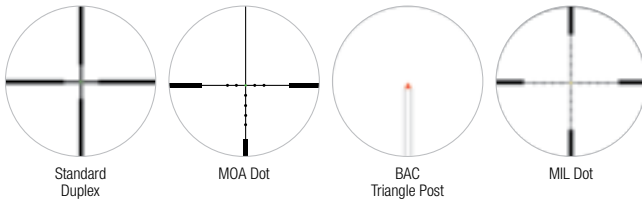
Standard Duplex Crosshair, 30mm Tube, Capped Adjusters

Matte Black: ■ TR22-1G ■ TR22-1

MIL-Dot Crosshair, 30mm Tube, Capped Adjusters

Matte Black: ■ TR22-2G ■ TR22-2

2.5-12.5x42



Standard Duplex Crosshair with Green Dot, 30mm Tube, Capped Adjusters

Matte Black: ■ TR26-C-200098

MOA-Dot Crosshair with Green Dot, 30mm Tube, Capped Adjusters

Matte Black: ■ TR26-C-200104

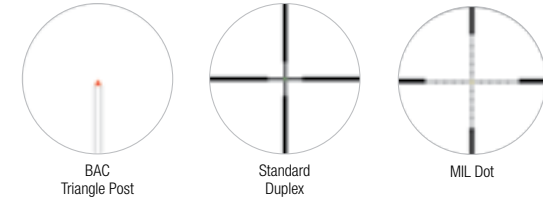
BAC, Triangle Post Reticle, 30mm Tube, Capped Adjusters

Matte Black: ■ TR26-C-200107 ■ TR26-C-200105

MIL-Dot Crosshair with Green Dot, 30mm Tube, Capped Adjusters

Matte Black: ■ TR26-C-200110

3-9x40



BAC, Triangle Post Reticle, 1 in. Tube, Capped Adjusters

Matte Black: ■ TR20G ■ TR20 ■ TR20R

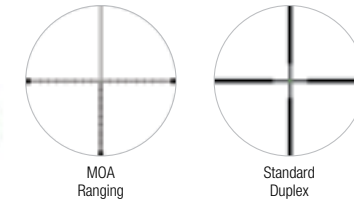
Standard Duplex Crosshair, 1 in. Tube, Capped Adjusters

Matte Black: ■ TR20-1G ■ TR20-1

MIL-Dot Crosshair, 1 in. Tube, Capped Adjusters

Matte Black: ■ TR20-2G ■ TR20-2

3-18x50



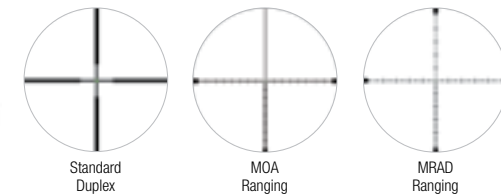
MOA Ranging Reticle, 30mm Tube, Exposed Elevation with Return-to-Zero Feature

Satin Black: ■ TR34-C-200158

Standard Duplex Crosshair with Green Dot, 30mm Tube, Exposed Elevation with Return-to-Zero Feature

Satin Black: ■ TR34-C-200166

4-16x50



BAC, Triangle Post Reticle, 30mm Tube, Low Capped Adjusters

Satin Black: ■ TR31-C-200145 ■ TR31-C-200143

Standard Duplex Crosshair, 30mm Tube, Low Capped Adjusters

Satin Black: ■ TR31-C-200146

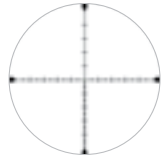
MOA Ranging Crosshair, 30mm Tube, Exposed Elevation Adjuster with Return-to-Zero Feature

Satin Black: ■ TR31-C-200147

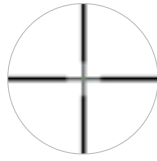
MRAD Ranging Crosshair, 30mm Tube, Exposed Elevation Adjuster with Return-to-Zero Feature

Matte Black: ■ TR31-C-200148

4-24x50



MOA Ranging



Standard Duplex

MOA Ranging Crosshair, 30mm Tube, Exposed Elevation Adjuster with Return-to-Zero Feature

Satin Black: ■ TR32-C-200157

Standard Duplex Crosshair with Green Dot, 30mm Tube, Exposed Elevation with Return-to-Zero Feature

Satin Black: ■ TR32-C-200162

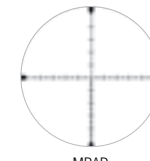
5-20x50



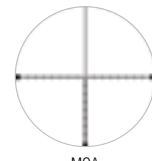
Standard Duplex



MIL Dot



MRAD Ranging



MOA Ranging

Standard Duplex Crosshair, 30mm Tube, Exposed Adjusters

Matte Black: ■ TR23-1G

Standard Duplex Crosshair, 30mm Tube, Exposed Adjusters with Return-to-Zero Elevation Feature

Satin Black: ■ TR33-C-200155

MIL-Dot Crosshair, 30mm Tube, Exposed Adjusters

Matte Black: ■ TR23-2G

MRAD Ranging Crosshair, 30mm Tube, Exposed Adjusters with Return-to-Zero Elevation Feature

Matte Black: ■ TR33-C-200149

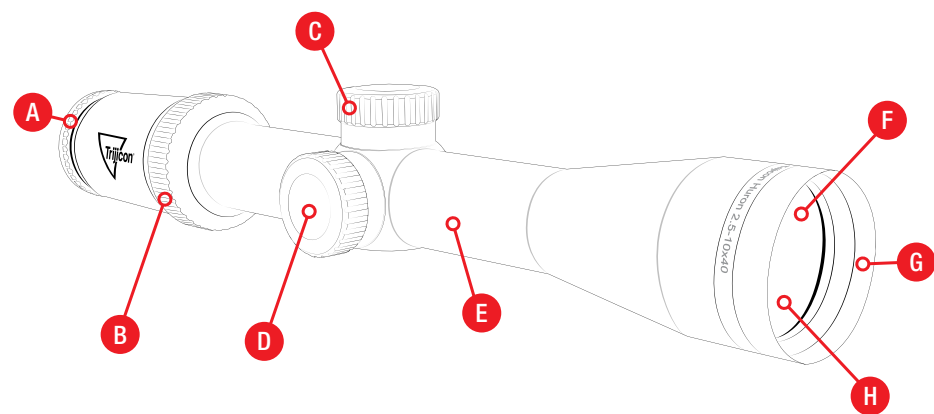
MOA Ranging Crosshair, 30mm Tube, Exposed Adjusters with Return-to-Zero Elevation Feature

Satin Black: ■ TR33-C-200151



Features and Benefits

- A Easy-Focus Eyepiece**
Diopter accommodates the shooter's individual prescription.
- B Accurate Shot Placement at Various Distances**
Versatile magnification ranges designed for the whitetail hunter.
- C Sleek Design & Finish**
Satin finish and hunter knurling prevent snagging and allow for smooth adjustments of optic controls.
- D Quick & Easy Adjustments**
Crisp, precise, windage/elevation adjusters require no tools. Capped adjusters ensure no accidental shift.
- E Field-Ready Construction**
Ultra-lightweight, ruggedized design stands up to the elements without added weight.
- F Edge-to-Edge Clarity**
Fully multi-coated, broadband, anti-reflective glass provides excellent light transmission, true detail and color, with zero distortion.
- G Fast Scanning, Detection, and Tracking**
Extra-wide field of view for maximum situational awareness.
- H Rapid Target Acquisition**
Uncluttered, easy-to-use reticles for fast and accurate shots.



Trijicon

Huron®

ABSOLUTE ACCURACY. EVEN WHEN YOUR HEART'S BEATING OUT OF YOUR CHEST.

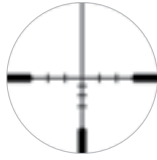
This is the Trijicon® variable riflescope made specifically for the American deer hunter. The Trijicon Huron® comes with the high-quality glass, proven precision, and rugged construction you need for bragging rights every season, along with a price that lets you invest heavily in your other hunting gear.



	1-4x24 (HR424 Series)	2.5-10x40 (HR1040 Series)
Eye Relief	2.6 – 3.9 in. 65 – 98mm	2.4 – 3.3 in. 62 – 83mm
Exit Pupil	0.69 – 0.2 in. 17.5 – 5.1mm	0.58 – 0.16 in. 14.8 – 4.0mm
Field of View (@ 100 yd.) (@ 100m) (degrees)	95.0 – 24.2 ft. 31.7 – 8.1m 18° – 4.6°	40.2 – 10.0 ft. 13.4 – 3.3m 7.66° – 1.92°
Focal Plane	Second	Second
Adjustments	1/4 MOA Per Click	1/4 MOA Per Click
Adjustment Range Total Travel	100 MOA	70 MOA
Finish	Satin	Satin
Dimensions (L x W x H)	10.4 x 2.0 x 1.9 in.	12.55 x 2.26 x 2.26 in.
Weight	15.9 oz.	18.2 oz.
Tube Diameter	30mm	30mm

	3-9x40 (HR940 Series)	3-12x40 (HR1240 Series)
Eye Relief	2.5 – 3.7 in. 63 – 93mm	2.2 – 3.2 in. 55 – 81mm
Exit Pupil	0.52 – 0.13 in. 13.3 – 4.5mm	0.52 – 0.13 in. 13.2 – 3.4mm
Field of View (@ 100 yd.) (@ 100m) (degrees)	33.8 – 11.3 ft. 11.3 – 3.8m 6.45° – 2.15°	36.3 – 9.1 ft. 12.1 – 3.0m 6.93° – 1.74°
Focal Plane	Second	Second
Adjustments	1/4 MOA Per Click	1/4 MOA Per Click
Adjustment Range Total Travel	40 MOA	70 MOA
Finish	Satin	Satin
Dimensions (L x W x H)	12.23 x 2.14 x 2.14 in.	12.55 x 2.26 x 2.26 in.
Weight	15.8 oz.	17.8 oz.
Tube Diameter	1 in.	30mm

1-4x24



BDC
Hunter Holds

BDC Hunter Holds, 30mm Tube, Capped Adjusters

Satin Black: HR424-C-2700001

2.5-10x40

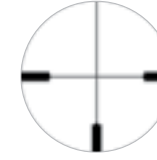


BDC
Hunter Holds

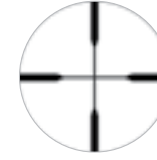
BDC Hunter Holds, 30mm Tube, Capped Adjusters

Satin Black: HR1040-C-2700002

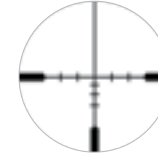
3-9x40



German #4



Standard
Duplex



BDC
Hunter Holds

German #4 Crosshair, 1 in. Tube, Capped Adjusters

Satin Black: HR940-C-2700004

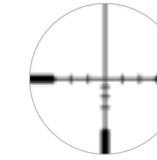
Standard Duplex, 1 in. Tube, Capped Adjusters

Satin Black: HR940-C-2700005

BDC Hunter Holds, 1 in. Tube, Capped Adjusters

Satin Black: HR940-C-2700006

3-12x40



BDC
Hunter Holds

BDC Hunter Holds, 30mm Tube, Capped Adjusters

Satin Black: HR1240-C-2700003





Trijicon

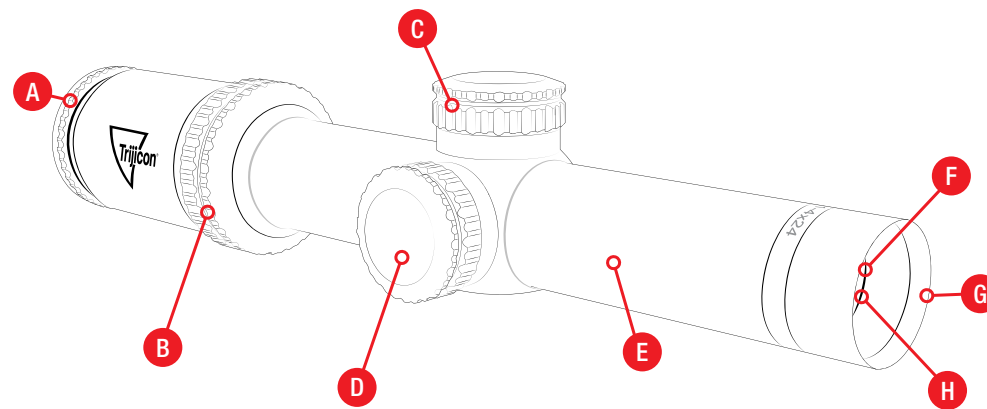
Ascent®

LEG DAY. ARM DAY. RANGE DAY. REPEAT.

Constantly improving your shooting skills requires a tactical riflescope that can grow with you, while also leading the way. The Trijicon Ascent® gives you durability you can trust, along with the fast, easy-to-use reticles and clear glass you expect from Trijicon. You can elevate your skill set with a price point that lets you invest in more range time than ever.

Features and Benefits

- A Easy-Focus Eyepiece**
Diopter accommodates the shooter's individual prescription.
- B Accurate Shot Placement at Any Distance**
Versatile magnifications designed for the range and competition.
- C Ultimate User Control**
Matte finish and easy-grip tactical knurling for responsive adjustments.
- D Quick & Easy Zeroing**
Crisp, precise, windage/elevation adjusters require no tools. Capped adjusters prevent accidental shift.
- E Range-Ready Construction**
Ultra-lightweight, ruggedized design stands up to the elements without added weight.
- F Edge-to-Edge Clarity**
Fully multi-coated, broadband, anti-reflective glass provides excellent light transmission, true detail and color, with zero distortion.
- G Fast Scanning, Detection, and Engagement**
Extra-wide field of view for maximum situational awareness.
- H Rapid Target Acquisition**
Uncluttered, easy-to-use reticles for fast and accurate shots.





	1-4x24 (AT424 Series)	3-12x40 (AT1240 Series)
Eye Relief	2.6 – 3.9 in. 65 – 98mm	2.2 – 3.2 in. 55 – 81mm
Exit Pupil	0.69 – 0.2 in. 17.5 – 5.1mm	0.52 – 0.13 in. 13.2 – 3.4mm
Field of View (@ 100 yd.) (@ 100m) (degrees)	95.0 – 24.2 ft. 31.7 – 8.1m 18° – 4.6°	36.3 – 9.1 ft. 12.1 – 3.0m 6.93° – 1.74°
Focal Plane	Second	Second
Adjustments	1/4 MOA Per Click	1/4 MOA Per Click
Adjustment Range Total Travel	100 MOA	70 MOA
Finish	Matte	Matte
Dimensions (L x W x H)	10.4 x 2.0 x 1.9 in.	12.55 x 2.26 x 2.26 in.
Weight	15.9 oz.	17.8 oz.
Tube Diameter	30mm	30mm

1-4x24

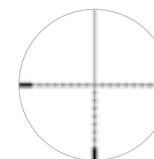


BDC Target Holds

BDC Target Holds, 30mm Tube, Capped Adjusters

Matte Black: AT424-C-2800001

3-12x40



BDC Target Holds

BDC Target Holds, 30mm Tube, Capped Adjusters

Matte Black: AT1240-C-2800002



Reticles not shown to scale. For a full view of reticles, please visit our website at Trijicon.com.



Trijicon

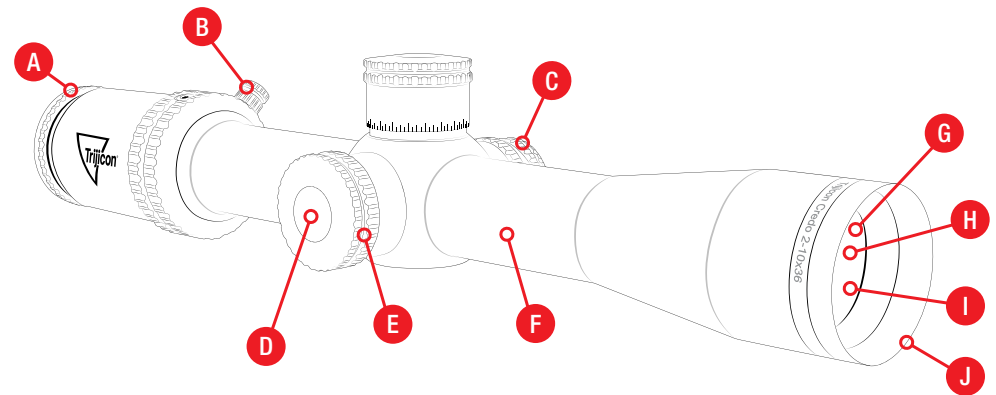
Credo®

BREAK A SWEAT WITHOUT BREAKING YOUR OPTIC.

What we've learned from decades of deployment with America's greatest fighting forces, we've put back into our technology for the Trijicon Credo® tactical riflescope. It delivers an incredibly clear sight picture, green or red illuminated reticles, superior target acquisition, and rugged durability.

Features and Benefits

- A Easy-Focus Eyepiece**
Diopter accommodates the shooter's individual prescription.
- B Repositionable Magnification Lever***
Accommodates different shooting positions and rifle configurations.
- C Confident Aiming in Any Light**
User-selectable LED brightness settings with an "off" in between each setting to adapt to any environment.
- D Quick & Easy Adjustments**
Crisp, precise, windage/elevation adjusters require no tools and are designed to prevent accidental shift.
- E Purpose-Driven Design**
Matte finish and easy-grip controls for fast, intuitive adjustments.
- F Ultra Durable for Ensured Reliability**
Ruggedized design engineered to withstand extreme conditions and tested to military standards and protocols.
- G Edge-to-Edge Clarity**
Fully multi-coated, broadband, anti-reflective glass provides excellent light transmission, true detail and color, with zero distortion.
- H "Both-Eyes-Open" Shooting**
Illuminated reticles provide a clear aiming point that draws the shooter's eye for fast engagement.
- I Rapid Target Acquisition**
Choose from a variety of specially engineered reticle designs for fast ranging and holdovers.
- J Fast Scanning, Detection, and Tracking**
Extra-wide field of view for maximum situational awareness.



*Available for most models

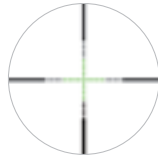


	1-4x24 (CR424 Series)	1-6x24 (CR624 Series)	1-8x28 (CR828 Series)	1-10x28 (CR1028 Series)
Eye Relief	2.6 – 3.9 in. 65 – 98mm	3.5 – 3.9 in. 88 – 100mm	3.0 – 4.0 in. 76 – 101mm	3.2 – 3.9 in. 81 – 99mm
Exit Pupil	.69 – .2 in. 17.5 – 5.1mm	.47 – .16 in. 12.0 – 4.1mm	.46 – .14 in. 11.7 – 3.5mm	.32 – .11 in. 8.1 – 2.8mm
Field of View (@ 100 yd.) (@ 100m) (degrees)	95 – 24.2 ft. 31.7 – 8.1m 18.0° – 4.6°	113.4 – 18.8 ft. 37.8 – 6.3m 21.4° – 3.58°	105.8 – 13.2 ft. 35.3 – 4.4m 20° – 2.53°	116.6 – 11.7 ft. 38.9 – 3.9m 22° – 22.°
Focal Plane	Second	First / Second	First	First
Adjuster Style	Capped	Capped	Exposed Locking	Exposed / Capped
Adjustments	0.1 MRAD Per Click	0.1 MRAD Per Click	0.1 MRAD Per Click	0.1 MRAD Per Click
Adjustment Range Total Travel	29 MRAD	29 MRAD	29.1 MRAD	29.1 MRAD
Parallax Adjust- ment Range	N/A	N/A	N/A	N/A
Finish	Matte	Matte	Matte	Matte
Dimensions (L x W x H)	10.5 x 2.7 x 1.9 in.	11.0 x 2.0 x 2.0 in.	10.8 x 3.2 x 2.6 in.	10.1 x 3.2 x 2.4 in.
Weight	17.1 oz.	18.2 – 18.9 oz.	25.6 oz.	21.2 oz.
Illumination Source	LED Powered by a CR2032 Lithium Battery	LED Powered by a CR2032 Lithium Battery	LED Powered by a CR2032 Lithium Battery	LED Powered by a CR2032 Lithium Battery
Tube Diameter	30mm	30mm	34mm	34mm



	2-10x36 (CR1036 Series)	2.5-15x42 (CR1542 Series)	2.5-15x56 (CR1556 Series)	3-9x40 (CR940 Series)
Eye Relief	3.4 – 3.9 in. 87 – 99mm	3.4 – 3.9 in. 85 – 100mm	3.3 – 3.9 in. 85 – 99mm	3.5 – 3.7 in. 90 – 93mm
Exit Pupil	.41 – .13 in. 10.5 – 3.4mm	.42 – .11 in. 10.7 – 2.8mm	.46 – .15 in. 11.6 – 3.7mm	0.52 – 0.17 in. 13.3 – 4.4mm
Field of View (@ 100 yd.) (@ 100m) (degrees)	50.0 – 10.1 ft. 16.7 – 3.4m 9.53° – 1.92°	41.2 – 6.9 ft. 13.7 – 2.3m 7.86° – 1.31°	43.1 – 7.4 ft. 14.4 – 2.5m 8.22° – 1.42°	35.5 – 11.8 ft. 11.8 – 3.9m 6.75° – 2.25°
Focal Plane	First	Second	Second	Second
Adjuster Style	Exposed / Capped	Exposed / Capped	Exposed / Capped	Capped
Adjustments	1/4 MOA / 0.1 MRAD Per Click	1/4 MOA Per Click	1/4 MOA Per Click	1/4 MOA Per Click
Adjustment Range Total Travel	90 MOA / 26.2 MRAD	100 MOA Elevation 80 MOA Windage	60 MOA	60 MOA
Parallax Adjust- ment Range	N/A	10 yds. to Infinity	10 yds. to Infinity	N/A
Finish	Matte	Matte	Matte	Matte
Dimensions (L x W x H)	13.1 x 3.24 x 2.6 in.	13.9 x 3.3 x 2.6 in.	14.7 x 3.2 x 2.8 in.	12.3 x 2.5 x 2.2 in.
Weight	23 oz.	22.9 oz.	27 oz.	17.02 oz.
Illumination Source	LED Powered by a CR2032 Lithium Battery	LED Powered by a CR2032 Lithium Battery	LED Powered by a CR2032 Lithium Battery	LED Powered by a CR2032 Lithium Battery
Tube Diameter	30mm	30mm	30mm	1 in.

1-4x24



MRAD Ranging



BDC Segmented Circle .223/55 gr.

MRAD Ranging, 30mm Tube, Low Capped Adjusters

Matte Black: ■ CR424-C-2900011 ■ CR424-C-2900012

BDC Segmented Circle .223 / 55gr, 30mm Tube, Low Capped Adjusters

Matte Black: ■ CR424-C-2900013 ■ CR424-C-2900014

1-6x24 (SFP)

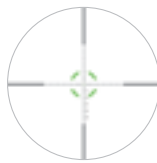


BDC Segmented Circle .223/55 gr.

Second Focal Plan (SFP) BDC Segmented Circle .223 / 55gr, 30mm Tube, Low Capped Adjusters

Matte Black: ■ CR624-C-2900015 ■ CR624-C-2900016

1-6x24 (FFP)



MRAD Segmented Circle

First Focal Plane (FFP) MRAD Segmented Circle, 30mm Tube, Low Capped Adjusters

Matte Black: ■ CR624-C-2900023 ■ CR624-C-2900024

1-8x28

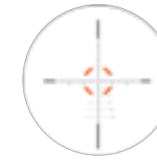


MRAD Segmented Circle

First Focal Plane (FFP) MRAD Segmented Circle, 34mm Tube, Exposed Locking Adjusters

Matte Black: ■ CR828-C-2900032

1-10x28

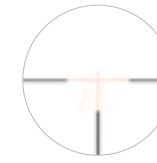


MRAD Segmented Circle Enhanced

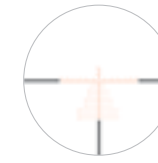
MRAD Segmented Circle Enhanced, 34mm Tube, Exposed Elevation Adjuster with Return-to-Zero Feature

Matte Black: ■ CR1028-C-2900050 / 1-10x28

2-10x36



MOA Precision Tree



MRAD Precision Tree

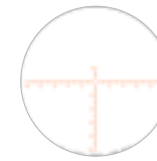
First Focal Plane (FFP) Riflescope MOA Precision Tree, 30mm Tube, Exposed Elevation Adjuster with Return-to-Zero Feature

Matte Black: ■ CR1036-C-2900037

First Focal Plane (FFP) MRAD Precision Tree, 30mm Tube, Exposed Elevation Adjuster with Return-to-Zero Feature

Matte Black: ■ CR1036-C-2900038

2.5-15x42

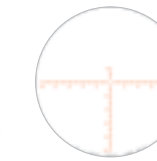


MRAD Center Dot

MRAD Center Dot, 30mm Tube, Exposed Elevation Adjuster with Return-to-Zero Feature

Matte Black: ■ CR1542-C-2900034

2.5-15x56



MRAD Center Dot

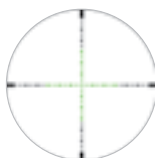
MRAD Center Dot, 30mm Tube, Exposed Elevation Adjuster with Return-to-Zero Feature

Matte Black: ■ CR1556-C-2900036

3-9x40



MOA Precision Hunter



MIL-Square



Standard Duplex

MOA Precision Hunter, 1 in. Tube, Low Capped Adjusters

Matte Black: ■ CR940-C-2900039 ■ CR940-C-2900040

MIL-Square, 1 in. Tube, Low Capped Adjusters

Matte Black: ■ CR940-C-2900041 ■ CR940-C-2900042

Standard Duplex, 1 in. Tube, Low Capped Adjusters

Matte Black: ■ CR940-C-2900043 ■ CR940-C-2900044





Trijicon

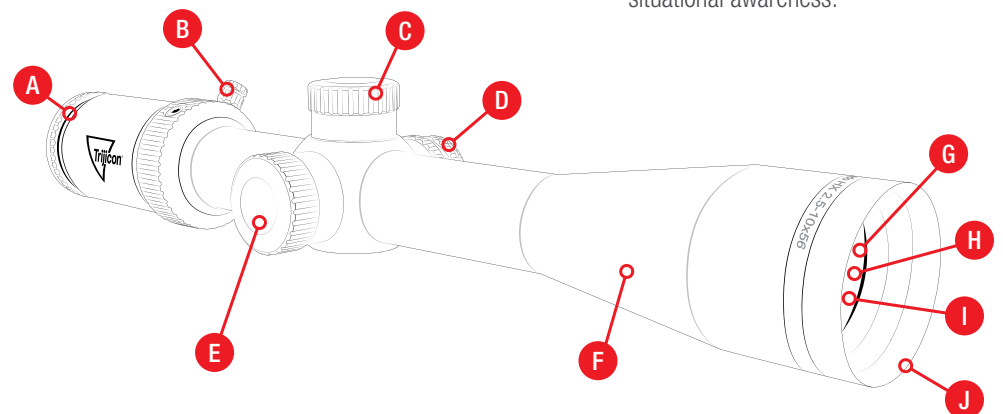
Credo[®] HX

PROVEN ACCURACY WHEN IT COUNTS. AND IT ALWAYS COUNTS.

The Trijicon Credo[®] HX was designed with one purpose in mind: brag-worthy hunts. To help you do so with style, it offers rapid target acquisition from dawn to dusk, pinpoint accuracy, and tough-as-nails construction that can more than handle the hazards of a hunt.

Features and Benefits

- A Easy-Focus Eyepiece**
Diopter accommodates the shooter's individual prescription.
- B Repositionable Magnification Lever**
Accommodates different shooting positions and rifle configurations.
- C Purpose-Driven Design**
Sleek finish and low-profile controls prevent snagging.
- D Confident Aiming in Any Light**
User-selectable LED brightness settings with an "off" in between each setting to adapt to any environment.
- E Quick & Easy Adjustments**
Crisp, precise, windage/elevation adjusters require no tools and are designed to prevent accidental shift.
- F Ultra Durable for Ensured Reliability**
Ruggedized design engineered to withstand extreme conditions and tested to military standards and protocols.
- G Edge-to-Edge Clarity**
Fully multi-coated, broadband, anti-reflective glass provides excellent light transmission, true detail and color, with zero distortion.
- H "Both-Eyes-Open" Shooting**
Illuminated reticles provide a clear aiming point that draws the shooter's eye for fast engagement.
- I Quick Target Acquisition**
Proven reticle designs for the most discerning hunters, ensuring fast ranging and holdovers.
- J Fast Scanning, Detection and Tracking**
Extra-wide field of view for maximum situational awareness.



Specifications



	1-6x24 (CRHX624 Series)	1-8x28 (CRHX828 Series)	1-10x28 (CRHX1028 Series)
Eye Relief	3.5 – 3.9 in. 88 – 100mm	3.0 – 4.0 in 76 – 101mm	3.2 – 3.9 in 81 – 99mm
Exit Pupil	.47 – .16 in. 12 – 4.1mm	.46 – .14 in. 11.7 – 3.5mm	.32 – .11 in 8.1 – 2.8mm
Field of View (@ 100 yd.) (@ 100m) (degrees)	113.4 – 18.8 ft. 37.8 – 6.3m 21.4° – 3.58°	105.8 – 13.2 ft. 35.3 – 4.4m 20° – 2.53°	116.6 - 11.7 ft. 38.9 - 3.9m 22° – 22°
Focal Plane	First / Second	First	First
Adjuster Style	Capped	Exposed Locking	Exposed / Capped
Adjustments	1/4 MOA Per Click	1/4 MOA Per Click	1/4 MOA Per Click
Adjustment Range Total Travel	100 MOA	100 MOA	100 MOA
Parallax Adjustment Range	N/A	N/A	N/A
Finish	Satin	Satin	Satin
Dimensions (L x W x H)	10.9 x 2.8 x 2.0 in.	10.8 x 3.2 x 2.6 in.	10.1 x 3.2 x 2.4 in.
Weight	18.2 – 18.9 oz.	25.7 oz.	21.2 oz.
Illumination Source	LED Powered by a CR2032 Lithium Battery	LED Powered by a CR2032 Lithium Battery	LED Powered by a CR2032 Lithium Battery
Tube Diameter	30mm	34mm	34mm

	2.5-10x56 (CRHX1056 Series)	2.5-15x42 (CRHX1542 Series)	2.5-15x56 (CRHX1556 Series)	4-16x50 (CRHX1650 Series)
Eye Relief	2.8 – 4.0 in. 72 – 102mm	3.4 – 3.9 in. 85 – 100mm	3.3 – 3.9 in. 85 – 98mm	3.1 – 3.8 in. 78 – 96mm
Exit Pupil	.64 – .21 in. 16.2 – 5.4mm	.42 – .11 in. 10.7 – 2.8mm	.46 – .15 in. 11.6 – 3.7mm	0.33 – 0.12 in. 8.5 – 3.1mm
Field of View (@ 100 yd.) (@ 100m) (degrees)	38.3 – 10.2 ft. 12.8 – 3.4m 7.3° – 1.94°	41.2 – 6.9 ft. 13.7 – 2.3m 7.86° – 1.31°	43.1 – 7.4 ft. 14.4 – 2.5m 8.22° – 1.42°	28.5 – 7.1 ft. 9.5 – 2.4m 5.43° – 1.36°
Focal Plane	Second	Second	Second	Second
Adjuster Style	Exposed / Capped	Exposed / Capped	Exposed / Capped	Exposed / Capped
Adjustments	1/4 MOA Per Click	1/4 MOA Per Click	1/4 MOA Per Click	1/4 MOA Per Click
Adjustment Range Total Travel	50 MOA	100 MOA Elevation 80 MOA Windage	60 MOA	70 MOA
Parallax Adjustment Range	N/A	10 yd. to Infinity	10 yd. to Infinity	10 yd. to Infinity
Finish	Satin	Satin	Satin	Satin
Dimensions (L x W x H)	13.8 x 2.7 – 2.9 x 2.6 – 2.8 in.	13.9 x 3.3 x 2.6 in.	14.7 x 3.3 x 2.9 in.	14.5 x 3.1 x 2.1 in.
Weight	25.4 oz.	22.9 oz.	27 oz.	24.7 oz.
Illumination Source	LED Powered by a CR2032 Lithium Battery	LED Powered by a CR2032 Lithium Battery	LED Powered by a CR2032 Lithium Battery	LED Powered by a CR2032 Lithium Battery
Tube Diameter	30mm	30mm	30mm	30mm

1-6x24 (SFP)



LED Dot BDC Hunter Holds .308

LED Dot BDC Hunter Holds .223

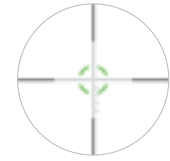
Second Focal Plane (SFP) LED Dot BDC Hunter Holds .308, 30mm Tube, Low Capped Adjusters

Satin Black: ■ CRHX624-C-2900019 ■ CRHX624-C-2900017

Second Focal Plane (SFP) LED Dot BDC Hunter Holds .223, 30mm Tube, Low Capped Adjusters

Satin Black: ■ CRHX624-C-2900020 ■ CRHX624-C-2900018

1-6x24 (FFP)

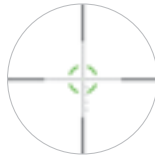


MOA Segmented Circle

First Focal Plane (FFP) MOA Segmented Circle, 30mm Tube, Low Capped Adjusters

Satin Black: ■ CRHX624-C-2900021 ■ CRHX624-C-2900022

1-8x28

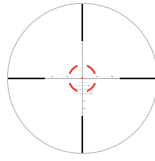


MOA Segmented Circle

First Focal Plane (FFP) MOA Segmented Circle, 34mm Tube, Exposed Zero Stop

Satin Black: ■ CRHX828 -C-2900031

1-10x28

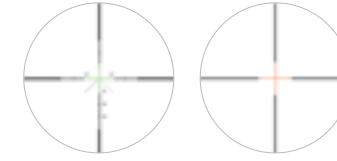


MOA Segmented Circle Enhanced

First Focal Plane (FFP) MOA Segmented Circle Enhanced, 34mm Tube, Exposed Locking Adjusters

Satin Black: ■ CRHX1028 -C-2900049

2.5-10x56



MOA Precision Hunter

Standard Duplex

MOA Precision Hunter, 30mm Tube, Exposed Elevation Adjuster with Return-to-Zero Feature

Satin Black: ■ CRHX1056-C-2900027 ■ CRHX1056-C-2900028

Standard Duplex, 30mm Tube, Low Capped Adjusters

Satin Black: ■ CRHX1056-C-2900029 ■ CRHX1056-C-2900030

2.5-15x42

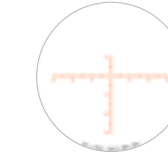


MOA Center Dot

MOA Center Dot, 30mm Tube, Exposed Elevation Adjuster with Return-to-Zero Feature

Satin Black: ■ CRHX1542-C-2900033

2.5-15x56

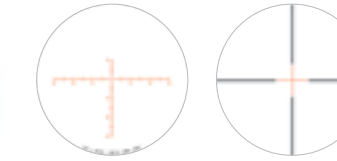


MOA Center Dot

MOA Center Dot, 30mm Tube, Exposed Elevation Adjuster with Return-to-Zero Feature

Satin Black: ■ CRHX1556-C-2900035

4-16x50



MOA Center Dot

Standard Duplex

MOA Center Dot, 30mm Tube, Exposed Elevation Adjuster with Return-to-Zero Feature

Satin Black: ■ CRHX1650-C-2900001

Standard Duplex, 30mm Tube, Low Capped Adjusters

Satin Black: ■ CRHX1650-C-2900005 ■ CRHX1650-C-2900006



Trijicon

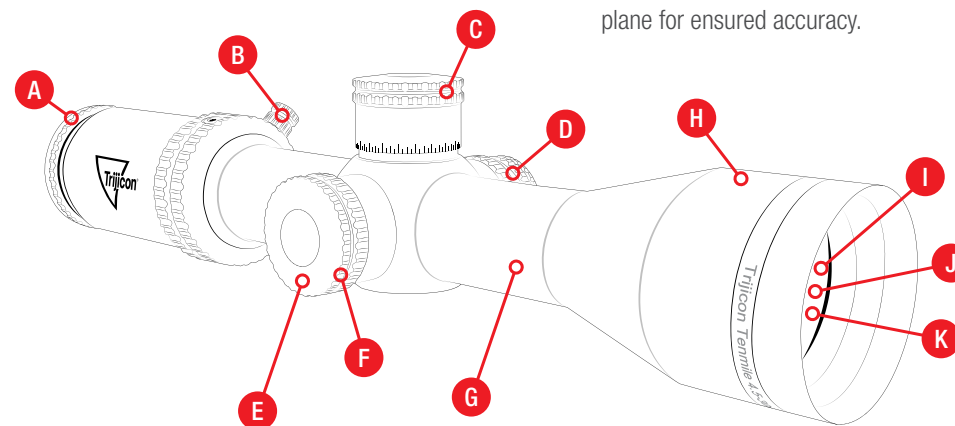
Tenmile®

WORRY ABOUT THE WIND, YOUR BREATHING AND YOUR TRIGGER PRESS. NOT YOUR RIFLESCOPE.

Keep pushing your long-range limits with the Trijicon Tenmile® riflescope. Specifically designed for refined shooters, all Tenmile models ensure accuracy and precision at extreme distances, letting you choose the focal plane and reticle design you trust the most. You can also expect proven Trijicon durability and clarity.

Features and Benefits

- A Easy-Focus Eyepiece**
Diopter accommodates the shooter's individual prescription.
- B Repositionable Magnification Lever**
Accommodates different shooting positions and rifle configurations.
- C Optimal Flexibility**
Generous windage and elevation adjustment for maximum total travel.
- D Confident Aiming in Any Light**
User-selectable LED brightness settings with an "off" in between each setting to adapt to any environment.
- E Quick & Easy Adjustments**
Crisp, precise, windage/elevation adjusters require no tools and are designed to prevent accidental shift.
- F Purpose-Driven Design**
Matte finish and easy-grip controls for fast, intuitive adjustments.
- G Increased Adjuster Range**
30mm and 34mm tube sizes offer increased durability and adjuster range.
- H Ultra Durable for Ensured Reliability**
Ruggedized design engineered to withstand extreme conditions and tested to military standards and protocols.
- I Edge-to-Edge Clarity**
Fully multi-coated, broadband, anti-reflective glass provides excellent light transmission, true detail and color, with zero distortion.
- J "Both-Eyes-Open" Shooting**
Illuminated reticles provide a clear aiming point that draws the shooter's eye for fast engagement.
- K Pinpoint Aiming in Any Condition**
Precise milling and holdover reticles available in first or second focal plane for ensured accuracy.



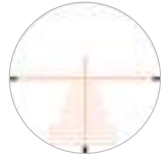


	3-18x44 (TM1844 Series)	4-24x50 (TM42450 Series)	4.5-30x56 (TM3056 Series)
Eye Relief	3.4 – 3.9 in. 87 – 100mm	3.1 – 3.8 in. 78 – 96mm	3.2 – 3.8 in. 82 – 97mm
Exit Pupil	0.45 – 0.09 in. 11.4 – 2.4mm	0.33 – 0.08 in. 8.5 – 2.1mm	0.35 – 0.07 in. 8.8 – 1.9mm
Field of View (@ 100 yd.) (@ 100m) (degrees)	35.3 – 5.9 ft. 11.8 – 2.0m 6.73° – 1.12°	28.5 – 4.7 ft. 9.5 – 1.6m 5.43° – 0.91°	24.7 – 3.7 ft. 8.2 – 1.2m 4.7° – 0.7°
Focal Plane	First	Second	First / Second
Adjuster Style	Exposed / Capped	Exposed / Capped	Exposed / Capped
Adjustments	1/4 MOA Per Click	0.1 MRAD Per Click	1/4 MOA Per Click 0.1 MRAD Per Click
Adjustment Range Total Travel	60 MOA	29 MRAD Elevation 20 MRAD Windage	100 MOA / 29.1 MRAD Elevation 50 MOA / 14.5 MRAD Windage
Parallax Adjustment Range	15 yds. to Infinity	10 yds. to Infinity	20 yds. to Infinity
Finish	Matte	Matte	Matte
Dimensions (L x W x H)	15.02 x 3.26 x 2.4 in.	14.45 x 3.26 x 2.37 in.	14.23 – 14.33 x 3.63 x 2.9 in.
Weight	24.4 oz.	25.7 oz.	36 oz.
Illumination Source	LED Powered by a CR2032 Lithium Battery	LED Powered by a CR2032 Lithium Battery	LED Powered by a CR2032 Lithium Battery
Tube Diameter	30mm	30mm	34mm



	5-25x50 (TM2550 Series)	5-50x56 (TM5056 Series)	6-24x50 (TM62450 Series)
Eye Relief	2.9 – 3.9 in. 73 – 99mm	3.5 – 3.9 in. 89 – 100mm	3.1 – 3.8 in. 79 – 96mm
Exit Pupil	0.39 – 0.08 in. 10.0 – 2.0mm	0.28 – 0.04 in. 7.2 – 1.1mm	0.29 – 0.08 in. 7.5 – 2.1mm
Field of View (@ 100 yd.) (@ 100m) (degrees)	20.1 – 4.0 ft. 6.7 – 1.3m 3.83° – 0.77°	21.2 – 2.1 ft. 7.1 – 0.7m 4.0° – 0.41°	19.0 – 4.7 ft. 6.3 – 1.6m 3.62° – 0.91°
Focal Plane	Second	Second	Second
Adjuster Style	Exposed / Capped	Exposed / Capped	Capped
Adjustments	0.1 MRAD Per Click	1/8 MOA Per Click 0.05 MRAD Per Click	1/4 MOA Per Click
Adjustment Range Total Travel	14.5 MRAD Elevation 11.6 MRAD Windage	100 MOA / 29.1 MRAD Elevation 50 MOA / 14.5 MRAD Windage	20.4 MRAD Total Travel
Parallax Adjustment Range	25 yds. to Infinity	10 yds. to Infinity	10 yds. to Infinity
Finish	Matte	Matte	Matte
Dimensions (L x W x H)	13.5 x 3.3 x 2.8 in.	16 x 3.6 x 2.9 in.	14.45 x 3.05 x 2.14 in.
Weight	25.6 oz.	38.4 oz.	24.9 oz.
Illumination Source	LED Powered by a CR2032 Lithium Battery	LED Powered by a CR2032 Lithium Battery	LED Powered by a CR2032 Lithium Battery
Tube Diameter	30mm	34mm	30mm

3-18x44

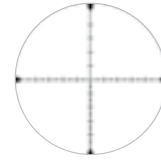


MRAD
Precision Tree

First Focal Plane (FFP) MRAD Precision Tree, 30mm Tube, Exposed Elevation Adjuster with Return-to-Zero Feature

Matte Black: ■ TM1844-C-3000002

4-24x50

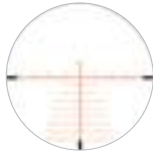


MRAD
Ranging

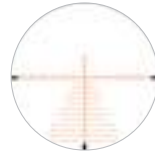
MRAD Ranging LED Dot, 30 mm Tube, Exposed Elevation Adjuster with Return-to-Zero Feature

Matte Black: ■ TM42450 -C-3000007

4.5-30x56 (FFP)



MOA
Precision Tree



MRAD
Precision Tree

First Focal Plane (FFP) MOA Precision Tree, 34mm Tube, Exposed Elevation Adjuster with Return-to-Zero Feature

Matte Black: ■ TM3056-C-3000012

First Focal Plane (FFP) MRAD Precision Tree, 34mm Tube, Exposed Elevation Adjuster with Return-to-Zero Feature

Matte Black: ■ TM3056-C-3000013

4.5-30x56 (SFP)

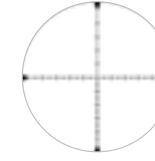


MOA
Long Range

Second Focal Plane (SFP) MOA Long Range, 34mm Tube, Exposed Elevation Adjuster with Return-to-Zero Feature

Matte Black: ■ TM3056-C-3000014

5-25x50



MRAD
Center Dot

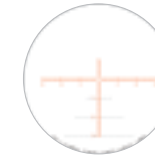
MRAD Center Dot, 30mm Tube, Exposed Elevation Adjuster with Return-to-Zero Feature

Matte Black: ■ TM2550-C-3000011

5-50x56



MOA
Long Range



MRAD Center Dot
with Wind Holds

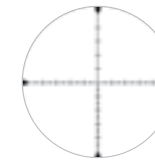
MOA Long Range, 34mm Tube, Exposed Elevation Adjuster with Return-to-Zero Feature

Matte Black: ■ TM5056-C-3000016

MRAD Center Dot w/ Wind Holds, 34mm Tube, Exposed Elevation Adjuster with Return-to-Zero Feature

Matte Black: ■ TM5056-C-3000017

6-24x50



LED Dot
MRAD Ranging

LED Dot MRAD Ranging, 30mm Tube, Low Capped Adjusters

Matte Black: ■ TM62450-C-3000005 ■ TM62450-C-3000006



Trijicon

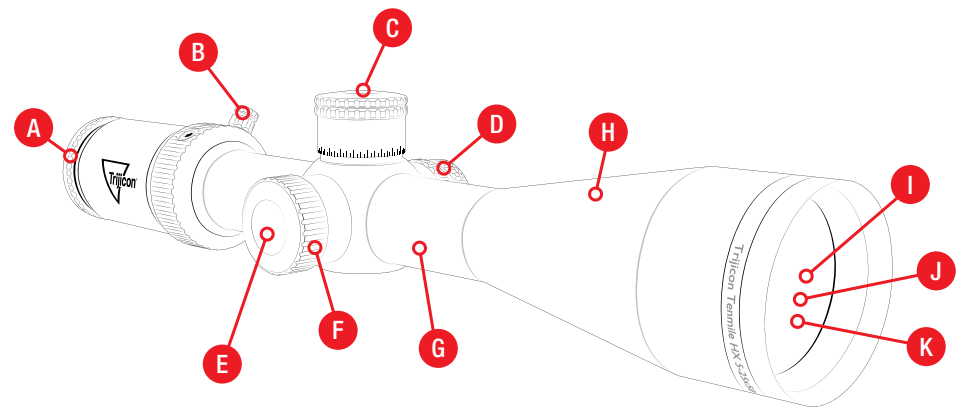
Tenmile® HX

HERE'S TO CARRYING OUT MORE THAN YOU CARRY IN.

When you need to dial in long-range shots in the toughest environments, trust the Trijicon Tenmile® HX riflescope. Equipped with illuminated precision hunting reticles, outstanding glass, and rugged construction, the Tenmile HX stands up to anything nature throws at you.

Features and Benefits

- A Easy-Focus Eyepiece**
Diopter accommodates the shooter's individual prescription.
- B Repositionable Magnification Lever**
Accommodates different shooting positions and rifle configurations.
- C Optimal Flexibility**
Generous windage and elevation adjustment for maximum total travel.
- D Confident Aiming in Any Light**
User-selectable LED brightness settings with an "off" in between each setting to adapt to any environment.
- E Quick & Easy Adjustments**
Crisp, precise, windage/elevation adjusters require no tools and are designed to prevent accidental shift.
- F Purpose-Driven Design**
Sleek finish and low-profile controls prevent snagging.
- G Increased Adjuster Range**
30mm tube offers increased durability and adjuster range.
- H Ultra Durable for Ensured Reliability**
Ruggedized design engineered to withstand extreme conditions and tested to military standards and protocols.
- I Edge-to-Edge Clarity**
Fully multi-coated, broadband, anti-reflective glass provides excellent light transmission, true detail, and color with zero distortion.
- J "Both-Eyes-Open" Shooting**
Illuminated reticles provide a clear aiming point that draws the shooter's eye for fast engagement.
- K Pinpoint Aiming in Any Condition**
Precise milling and holdover reticles available in first or second focal plane for ensured accuracy.

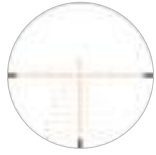




	3-18x44 (TMHX1844 Series)	5-25x50 SFP (TMHX2550 Series)
Eye Relief	3.4 – 3.9 in. 87 – 100mm	2.9 – 3.9 in. 73 – 99mm
Exit Pupil	0.45 – 0.09 in. 11.4 – 2.4mm	0.39 – 0.08 in. 10.0 – 2.0mm
Field of View (@ 100 yd.) (@ 100m) (degrees)	35.3 – 5.9 ft. 11.8 – 2.0m 6.73° – 1.12°	20.1 – 4.0 ft. 6.7 – 1.3m 3.83° – 0.77°
Focal Plane	First	Second
Adjuster Style	Exposed / Capped	Exposed / Capped
Adjustments	1/4 MOA Per Click	1/4 MOA Per Click
Adjustment Range Total Travel	60 MOA	50 MOA Elevation 40 MOA Windage
Parallax Adjustment Range	15 yds. to Infinity	25 yds. to Infinity
Finish	Satin	Satin
Dimensions (L x W x H)	15.02 x 3.26 x 2.4 in.	13.5 x 3.3 x 2.8 in.
Weight	24.4 oz.	25.6 oz.
Illumination Source	LED Powered by CR2032 Lithium Battery	LED Powered by CR2032 Lithium Battery
Tube Diameter	30mm	30mm

	5-25x50 FFP (TMHX2550 Series)	6-24x50 (TMHX2450 Series)
Eye Relief	3.03 – 3.62 in. 77 – 92mm	3.1 – 3.8 in. 79 – 96mm
Exit Pupil	0.26 – 0.08 in. 6.5 – 2.0mm	0.29 – 0.08 in. 7.5 – 2.1mm
Field of View (@ 100 yd.) (@ 100m) (degrees)	23.3 – 4.7 ft. 7.8 – 1.6m 4.46° – 0.89°	19.0 – 4.7 ft. 6.3 – 1.6m 3.62° – 0.91°
Focal Plane	First	Second
Adjuster Style	Exposed / Capped	Capped
Adjustments	1/4 MOA Per Click	1/4 MOA Per Click
Adjustment Range Total Travel	80 MOA Elevation 50 MOA Windage	70 MOA
Parallax Adjustment Range	10 yds. to Infinity	10 yds. to Infinity
Finish	Satin	Satin
Dimensions (L x W x H)	14.25 x 3.3 x 2.8 in.	14.45 x 3.05 x 2.14 in.
Weight	28.9 oz.	24.9 oz.
Illumination Source	LED Powered by CR2032 Lithium Battery	LED Powered by CR2032 Lithium Battery
Tube Diameter	30mm	30mm

3-18x44

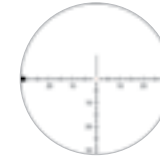


MOA
Precision Tree

First Focal Plane (FFP) MOA Precision Tree, 30mm Tube, Exposed Elevation Adjuster with Return-to-Zero Feature

Satin Black: TMHX1844-C-3000001

5-25x30 FFP

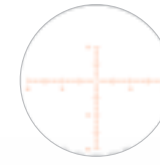


MOA
Ranging Crosshair

First Focal Plane (FFP) MOA Ranging Crosshair, 30mm Tube, Exposed Elevation Adjuster

Satin Black: TMHX2550-C-3000020

5-25x50 SFP



MOA
Center Dot

MOA Center Dot, 30mm Tube, Exposed Elevation Adjuster with Return-to-Zero Feature

Satin Black: TMHX2550-C-3000010

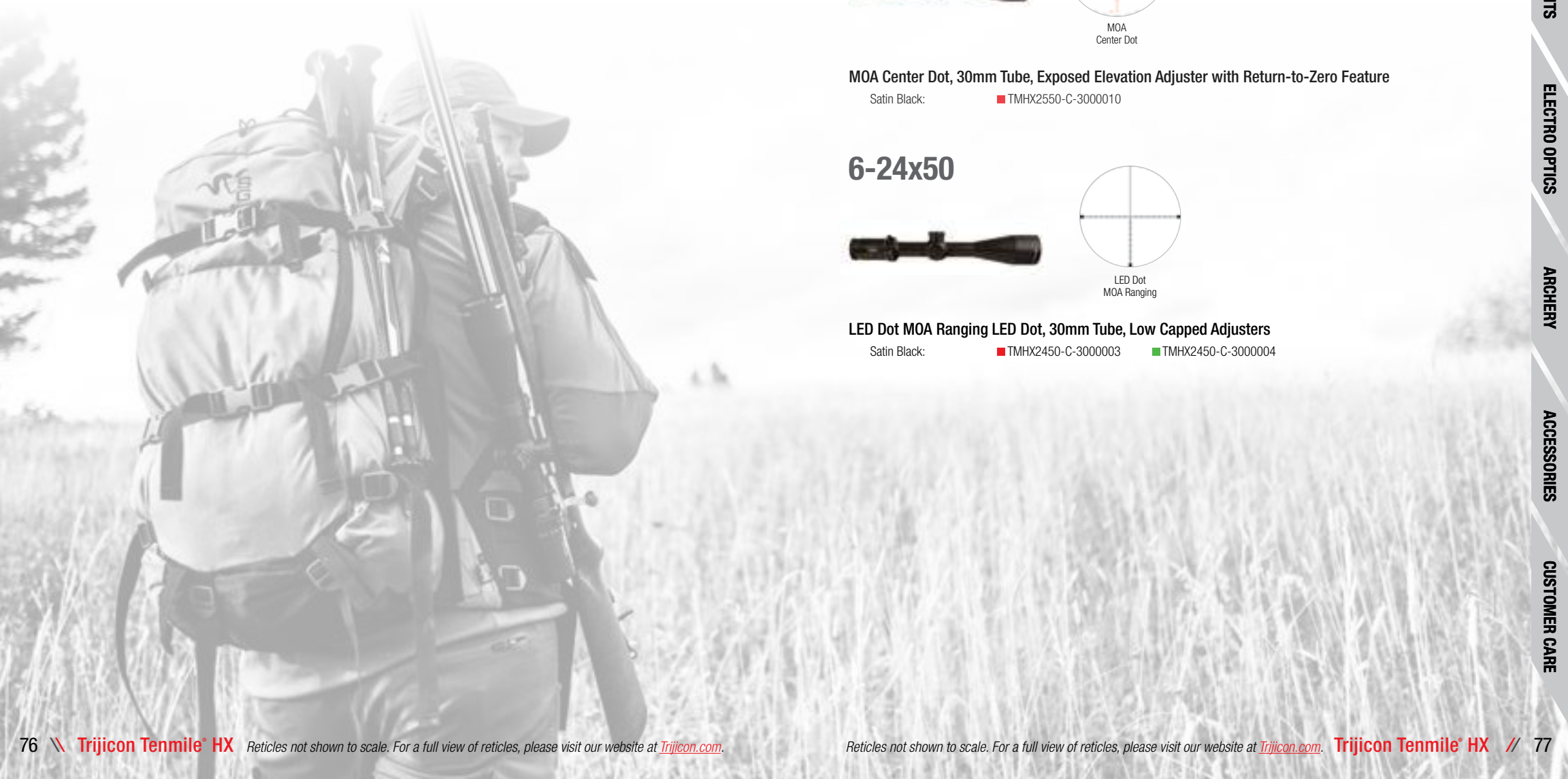
6-24x50



LED Dot
MOA Ranging

LED Dot MOA Ranging LED Dot, 30mm Tube, Low Capped Adjusters

Satin Black: TMHX2450-C-3000003 TMHX2450-C-3000004





REFLEX SIGHTS



RMR®



RMR® HD



RMR® cc



RCR™



SRO®



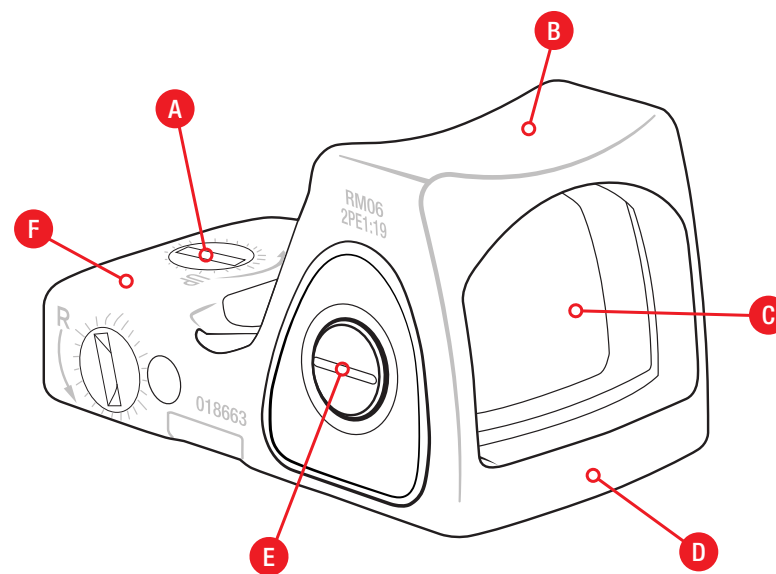
MRO®



MGRS®

Features and Benefits

- A Adjustable Windage/Elevation**
Easily adjustable without special tools. 1 MOA per click.
- B Rugged, Patented Housing Shape**
Military-grade, aluminum alloy-forged housing shape diverts force of impact away from the lens, greatly increasing its durability.
- C True-Color, Multi-Coated Lens**
Wide-band light transmission for minimal change in target area color.
- D True Versatility**
Multiple primary applications including rifle, pistol, shotgun and carbine, or use as a secondary sight with a magnified optic.
- E Dependable Design**
Electronic models offer ruggedized battery contacts and electronics that ensure performance and survivability in harsh environments.
- F Shock-Resistant**
Proven to withstand recoil from a .22LR to a .50BMG and everything in between. Easily passes U.S. Military drop test requirements.
- G Available in Many Models & Red Dot Sizes/Colors**
Choose from Adjustable LED, Dual-Illuminated (battery-free), Automatic LED, and HRS models, with multiple dot sizes and colors available.



Trijicon

RMR®

RUGGED. ACCURATE. PROVEN.

Selected by the U.S. Special Operations Command (USSOCOM) for the Handgun Reflex Sight (HRS) Contract, the Trijicon RMR® (Ruggedized Miniature Reflex) is designed to be as durable as the legendary Trijicon ACOG® while also improving precision and accuracy with any style or caliber of firearm. The RMR is designed with a patented housing shape that absorbs impacts and diverts stresses away from the lens to increase durability.



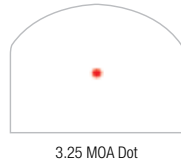


	Adjustable LED
Magnification	1x
Sight Window	.87 x .63 in. 22 x 16mm
Lens	Tempered Glass
Adjustments	1 Click = 1 MOA
Adjustment Range (Elevation & Windage)	150 MOA Total Travel
Dimensions (L x W x H)	1.8 x 1.2 x 1.0 in. 46 x 30 x 25mm
Weight	1.17 oz. (w/ battery) 33.2g
Illumination Source	LED Powered by a CR2032 Lithium Battery
Battery Life	4+ Years of Continuous Use* at Setting 4 of 8
Brightness Settings	Automatic and 8 Adjustable Settings
Available Mounting Adapters	Picatinny Rail, Weaver Rail, ACOG® Add-On, Rifle Scope Add- On, Pistol, Double-Barreled Rifle

	Automatic LED	Dual-Illuminated
Magnification	1x	1x
Sight Window	.87 x .63 in. 22 x 16mm	.87 x .63 in. 22 x 16mm
Lens	Tempered Glass	Tempered Glass
Adjustments	1 Click = 1 MOA	1 Click = 1 MOA
Adjustment Range (Elevation & Windage)	150 MOA Total Travel	150 MOA Total Travel
Dimensions (L x W x H)	1.8 x 1.1 x 1.0 in. 46 x 28 x 25mm	1.8 x 1.2 x 1.0 in. 46 x 30 x 25mm
Weight	1.2 oz. (w/ battery) 34g	1.2 oz. 34g
Illumination Source	LED Powered by a CR2032 Lithium Battery	Fiber Optics & Tritium
Battery Life	2 Years of Typical Use*, 5 Years in Dark Storage	N/A
Brightness Settings	Automatic	Automatic
Available Mounting Adapters	Picatinny Rail, Weaver Rail, ACOG® Add-On, Rifle Scope Add- On, Pistol, Double-Barreled Rifle	Picatinny Rail, Weaver Rail, ACOG® Add-On, Rifle Scope Add- On, Pistol, Double-Barreled Rifle

*When used at 70°F (21°C). Extreme temperatures (high or low) will affect lithium battery performance.

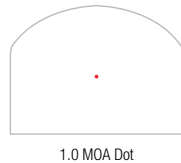
RMR® Type 2 Automatic LED



3.25 MOA Dot

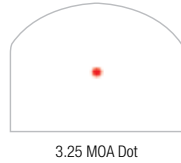
Black:	■ RM01-C-700600
Sniper Gray:	■ RM01-C-700622
OD Green:	■ RM01-C-700623
FDE:	■ RM01-C-700624

RMR® Type 2 Adjustable LED



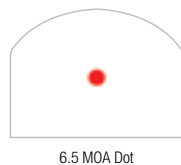
1.0 MOA Dot

Black:	■ RM09-C-700742
Sniper Gray:	■ RM09-C-700743
OD Green:	■ RM09-C-700744
FDE:	■ RM09-C-700745



3.25 MOA Dot

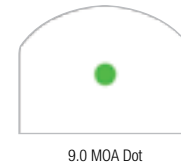
Black:	■ RM06-C-700672
Sniper Gray:	■ RM06-C-700694
OD Green:	■ RM06-C-700695
FDE:	■ RM06-C-700696



6.5 MOA Dot

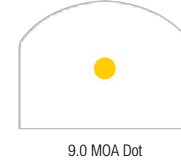
Black:	■ RM07-C-700679
Sniper Gray:	■ RM07-C-700715
OD Green:	■ RM07-C-700716
FDE:	■ RM07-C-700717

RMR® Dual-Illuminated

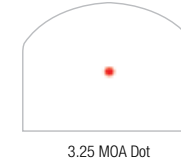


9.0 MOA Dot

Black:	■ RM05	■ RM05G
Sniper Gray:	■ RM05-C-700208	
OD Green:	■ RM05-C-700209	
FDE:	■ RM05-C-700189	■ RM05-C-700210



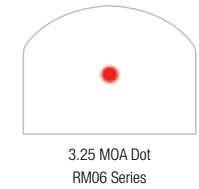
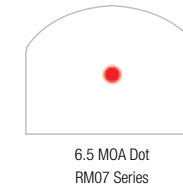
RMR® HRS



Hard-Anodized Coyote Brown HRS

FDE:	■ RM06-C-700780
------	-----------------

Dual Defense™ Kit for GLOCK®



White Front / White Rear Outline
with Green Lamps

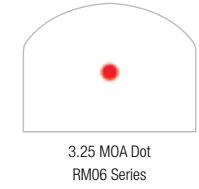
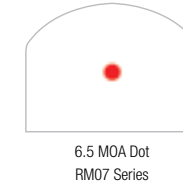


Black Front / Black Rear Outline
with Green Lamps

Standard Frame Models

FO □ RO □ 3.25 ■	RM06-C-700790
FO ■ RO ■ 3.25 ■	RM06-C-700791
FO □ RO □ 6.5 ■	RM07-C-700793
FO ■ RO ■ 6.5 ■	RM07-C-700794

Dual Defense™ Kit for SIG SAUER®



White Front / White Rear Outline
with Green Lamps



Black Front / Black Rear Outline
with Green Lamps

9mm and .357 (Excluding P938)

FO □ RO □ 3.25 ■	RM06-C-700792
FO □ RO □ 3.25 ■	RM06-C-700795



Trijicon

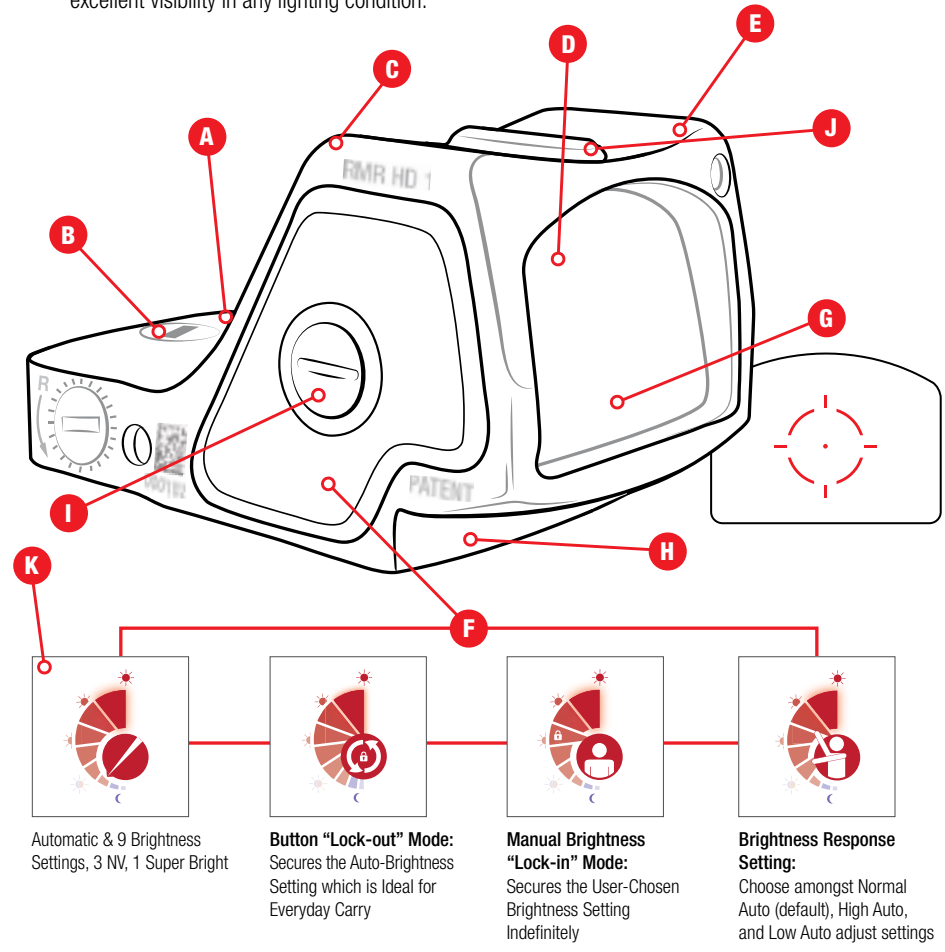
RMR® HD

THE NEXT GENERATION RMR®

With the durability of the RMR® as its foundation, the Trijicon RMR® HD features a top-loading battery, larger window and ideal illumination from a forward-mounted light sensor that reads the target and provides an optimal aiming point. It also offers a new reticle that allows you to switch between a complex reticle or single crisp dot.

Features and Benefits

- A Top-Loading Battery**
Battery changes are easy, with no need to dismount the optic; Uses common CR2032 battery, providing up to four years of battery life.
- B Upgraded Windage & Elevation Adjusters**
More tactile and audible clicks for tool-less zeroing.
- C Rugged, Durable Construction**
7075-T6 forged aluminum housing; waterproof up to 66 ft. (20 m).
- D Large, Unobstructive Field of View**
Find the reticle with ease; parallax free.
- E Reliability for Everyday Carry**
Unique shape diverts impact force to protect lens from drops and bumps.
- F Complete User-Control Illumination Settings**
Nine brightness settings with multiple modes for excellent visibility in any lighting condition.
- G Clear Target Visibility**
Advanced lens technology provides crisp field of view.
- H Identical Footprint as RMR®**
Mounts easily on popular red-dot-ready pistols using the same base as Trijicon RMR®.
- I Improved Controls**
More tactile and audible controls provide positive feedback when used with duty gloves.
- J Index Ridge Alignment Aid**
Unique housing design provides built-in index point for fast sight picture acquisition even from atypical positions.
- K New Night Vision Settings**
Three total night vision settings for use with any generation night vision system.



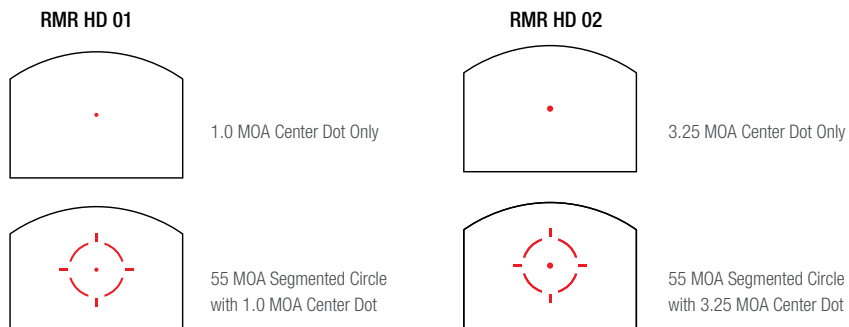
MAGNIFIED
RMR® HD
IRON SIGHTS
ELECTRO OPTICS
ARCHERY
ACCESSORIES
CUSTOMER CARE



	RMR® HD
Magnification	1x
Sight Window	0.89 x 0.67 in. 22.6 x 17.2mm
Lens	Tempered Glass
Adjustments	1 click = 1 MOA
Adjustment Range (Elevation & Windage)	135 MOA Total Travel
Dimensions (L x W x H)	2.15 x 1.27 x 1.19 in 54.6 x 32.3 x 30.2mm
Weight	1.69 oz (w/battery) 47.8g
Illumination Source	LED Powered by a CR2032 Battery
Battery Life	Over 3 years of continuous use at dot-only setting "5" (of 9) at 70°F (21°C)
Brightness Settings	Automatic & 9 Brightness Settings, 3 NV, 1 Super Bright

RETICLE OPTIONS

Choose either 1.0 MOA or 3.25 MOA size center dot model. Both models feature a 55 MOA ring reticle that the user can toggle on or off.

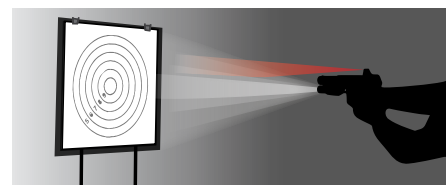


FORWARD MOUNTED LIGHT SENSOR



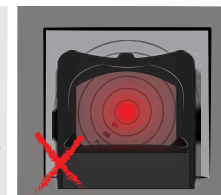
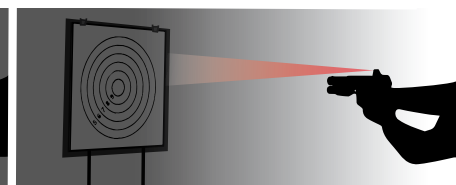
The new forward-mounted light sensor enables the RMR HD Automatic Brightness mode to read the lighting conditions at the target, rather than just at the user. Avoid “reticle washout” when engaging targets from a dimly lit space out to a brightly lit area—or “reticle bloom” when the shooting position is reversed. The LED intensity in the RMR HD automatically responds to the lighting conditions forward of the objective lens, providing an optimal aiming point.

Target in bright light, User in low light

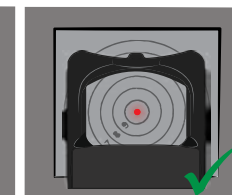


Target area is light and the illumination setting is too dim for the user to see.

Target in low light, User in bright light



Target area is dark, but the illumination setting for the reticle is much too bright, obscuring shooter's target.



The RMR HD light sensor reads the target area and provides an optimal aiming point.

RMR® HD



1.0 MOA Dot w/ 55 MOA Segmented Circle

Black: ■ RMR HD1-C-3200001

3.25 MOA Dot w/ 55 MOA Segmented Circle

Black: ■ RMR HD2-C-3200002



Trijicon

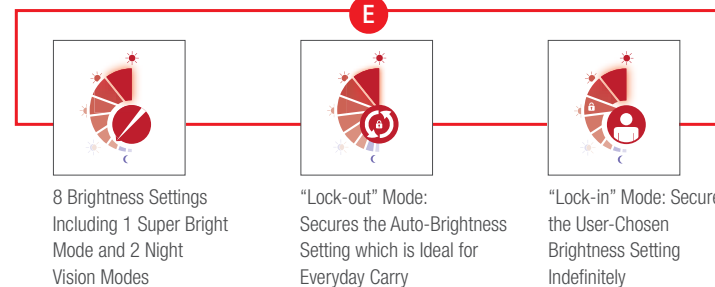
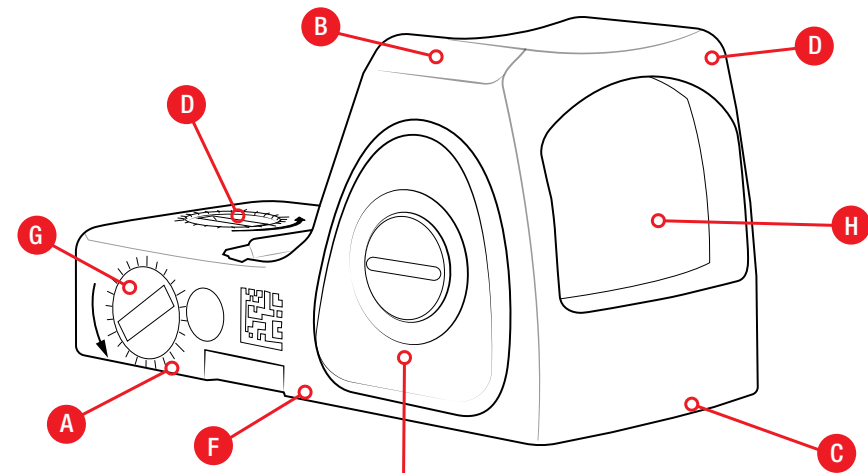
RMR^{cc}

CONCEALED-CARRY CONFIDENCE.

Born from the industry-leading RMR®, the Trijicon RMR^{cc} comes with proven reliability and ruggedized electronics that you expect—with a smaller, thinner footprint for concealed-carry confidence. The RMRcc comes with a thinner, lower-profile design that reduces the risk of snags for a faster and easier draw, and it fits a variety of today's most popular everyday-carry pistols.

Features and Benefits

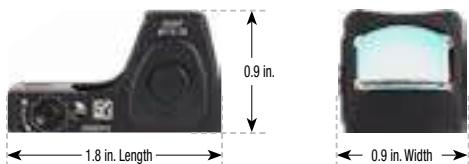
- A Designed to Fit on Today's Popular Pistols**
Less than an inch wide, the RMRcc easily fits everything from sub-compact pistols to full-sized handguns.
- B Reliability for Everyday Carry**
Unique shape diverts impact force to protect lens from drops and bumps.
- C Four-Year Battery Life**
Ruggedized battery contacts and electronics ensure performance and survivability in harsh environments.
- D Easy to Carry, Easy to Draw**
Snag-free design makes the RMRcc easy to carry and draw from concealment.
- E User-Controlled Illumination**
Eight brightness settings with multiple modes for reliability in any lighting condition.
- F Convenient Installation**
Wide selection of mounts available to easily mount to many of today's popular pistols.
- G Toolless Windage and Elevation Adjusters**
Infinitely adjustable with 3 MOA reference ticks.
- H Clear Target Visibility**
Uses the same glass and coatings as the RMR paired with a crisp 3.25 or 6.5 MOA dot.





	Adjustable LED
Magnification	1x
Sight Window	.74 x .50 in. 18.7 x 12.8mm
Lens	Tempered Glass
Adjustments	1 tick = 3 MOA
Adjustment Range (Elevation & Windage)	150 MOA Total Travel
Dimensions (L x W x H)	1.8 x 0.95 x 0.97 in. 45 x 24 x 25mm
Weight	1.2 oz. (w/ battery) 34g
Illumination Source	LED Powered by a CR2032 Battery
Battery Life	Over 4 Years of Continuous Use (When Used at 70°F (21°C) at Setting 4 of 8)
Brightness Settings	Automatic and 8 Adjustable Settings

RMR^{cc}



RMR^o (Adjustable LED)

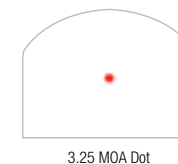


RMR^{cc}

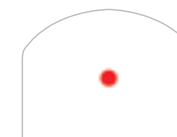
RMR^o



RMR^{cc} LED



3.25 MOA Dot



6.5 MOA Dot

3.25 MOA Dot

Black: ■ CC06-C-3100001

6.5 MOA Dot

Black: ■ CC07-C-3100002

Fits Many Popular Pistols

Smith & Wesson^o

Pistol Model	Mount Part #
M&P Shield M2.0	AC32091
M&P Shield M2.0 CORE	AC32092
M&P 380, 9mm Shield EZ	AC32093
M&P Shield Bodyguard 380	AC32094

Glock^o

Pistol Model	Mount Part #
All Dovetail models (17, 19, 22, 24, 32, 42, 43, 43X, 45, 48 etc.)	AC32098
All MOS Guns	AC32099

Springfield Armory^o

Pistol Model	Mount Part #
All XDS models	AC32097
Hellcat Iron Sight	AC32097
Hellcat OSP	AC32092

Walther^o

Pistol Model	Mount Part #
PPS	AC32103

Kimber^o

Pistol Model	Mount Part #
1911 and Ultra Carry	AC32101
Micro 9	AC32102

Sig Sauer^o

Pistol Model	Mount Part #
365	AC32095
365 XL	AC32096
938	AC32097

**When used at 70°F (21°C). Extreme temperatures (high or low) will affect lithium battery performance.*



Trijicon

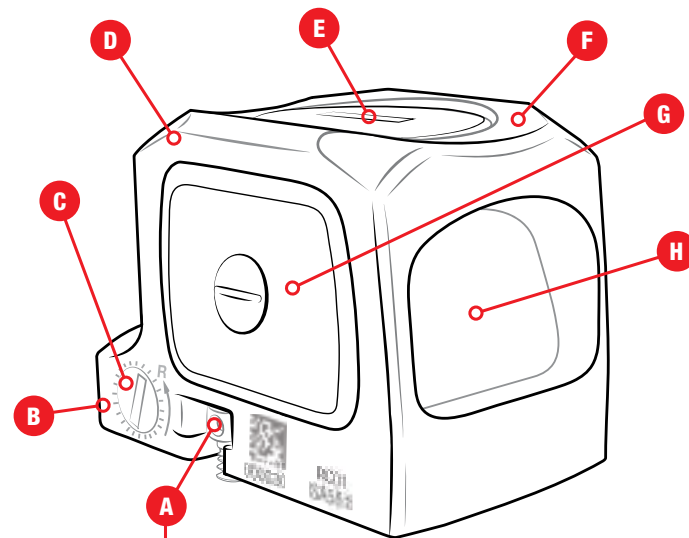
RCR™

THE DURABILITY AND FOOTPRINT OF THE RMR®. WITH A CLOSED EMITTER.

Instead of creating a closed emitter from scratch, we started with the Trijicon RMR®. The Trijicon RCR™ (Ruggedized Closed Reflex) is designed with the RMR's patented, durable housing design and identical footprint—with a closed emitter and top-loading battery. The RCR can withstand direct impacts and survive in the harshest environments, while still providing enhanced accuracy and an excellent field of view.

Features and Benefits

- A Multi-Platform-Friendly, No Additional Plates Needed**
The Trijicon RCR™ has a unique patented mounting system that allows the optic to mount using the Trijicon RMR® bolt pattern.
- B Same Deck Height as the RMR**
Allows for use with RMR compatible Iron Sights.
- C Easily Adjustable Windage/Elevation**
No need for special tools, 1 MOA per click.
- D Built to Handle the Worst**
Built from 7075-T6 aluminum and hard coat anodized, the RCR was designed to survive in any conditions.
- E Top Loaded Battery**
CR2032 battery, six years of continuous operation at setting 5.
- F Outstanding Durability**
The same unique patented housing shape of the RMR now in a closed emitter version, it still diverts the force of an impact away from the lens, greatly increasing drop survivability and one-handed slide manipulation.
- G Upgraded Electronics and Buttons**
Ruggedized battery contacts and electronics ensure performance and survivability in harsh environments, with distinctive and easy-to-use adjustment buttons.
- H True-Color, Multi-Coated Lens**
Wide-band light transmission ensures minimal change in target area color.



Super Strong Patented Capstan Screw
Our patented RCR mounting bolts provide a durable and easy mounting solution that prevents over-torquing, cross threading, and stripping out of the screw head.

Specifications



	RCR™
Magnification	1x
Sight Window	0.88 x 0.64 in. 22 x 16mm
Weight	1.95 oz. (w/battery) 55g
Adjustments	1 click = 1 MOA
Adjustment Range (Elevation & Windage)	150 MOA Total Travel
Illumination Source	LED Powered by a CR2032 Battery
Lens	Tempered Glass
Waterproof	66 ft 20m
Dimensions (L x W x H)	1.8 x 1.2 x 1.3 in. 45 x 30 x 33mm
Brightness Settings	Manual, 10 Brightness Settings, (3 NV, 1 Super Bright)
Battery Life*	Over 6 Years of Continuous Use at brightness settings 5 of 10 at 70°F (21°C)

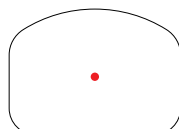
* When used at 70°F (21°C). Extreme temperatures (high or low) will affect lithium battery performance.

RCR™




3.25 MOA Dot

Black:



3.25 MOA Dot

 RCR1-C-3300001



MAGNIFIED

RCR™

IRON SIGHTS

ELECTRO OPTICS

ARCHERY

ACCESSORIES

CUSTOMER CARE



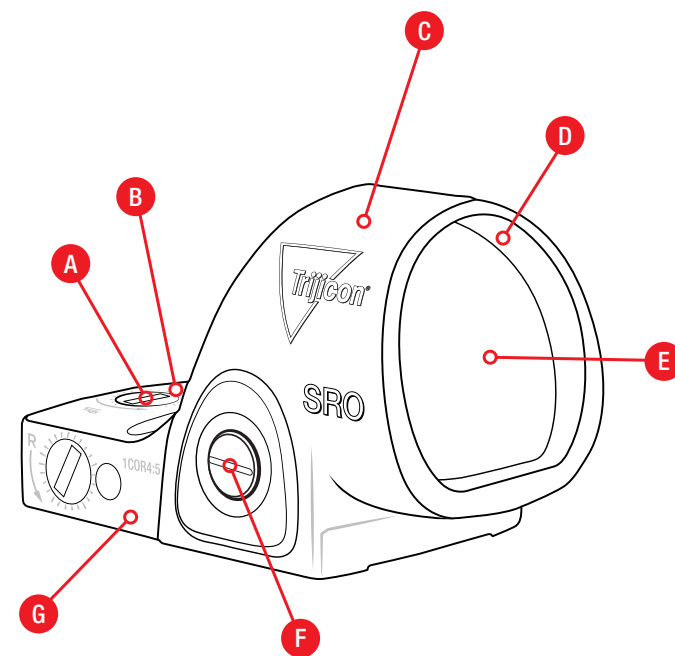
Trijicon SRO[®]

FASTER TARGET ACQUISITION STARTS WITH FASTER RED DOT ACQUISITION.

The Trijicon SRO[®] (Specialized Reflex Optic) is designed with a maximized field of view and a clean, crisp red dot that deliver improved pistol accuracy in competitive-shooting and target-shooting applications. It's also engineered with Trijicon's legendary durability, so it can withstand abuse on and off the range.

Features and Benefits

- A Easily Adjustable Windage & Elevation**
Tool-less design makes zeroing hassle-free.
- B Top-Loading Battery**
Battery changes are easy, with no need to dismount the optic; Uses common CR2032 battery.
- C Rugged, Durable Construction**
7075-T6 forged aluminum housing; waterproof up to 10 ft. (3m).
- D Large, Unobstructed Field of View**
Find the red dot with ease; parallax free.
- E Clear, Crisp Red Dot**
Finely tuned illuminated reticle, coupled with an exceptionally clear front lens, offer clear sight picture.
- F Intuitive, Easy-to-Adjust Illumination Controls**
8 brightness settings, including 1 super bright mode and 2 night vision modes.
- G Identical Footprint as RMR[®]**
Mounts easily on popular red-dot-ready pistols using the same base as Trijicon RMR[®].





	SRO®
Magnification	1x
Sight Window	.98 x .89 in. 25 x 22.5mm
Lens	Tempered Glass
Adjustments	1 Click = 1 MOA
Adjustment Range (Elevation & Windage)	150 MOA Total Travel
Dimensions (L x W x H)	2.2 x 1.3 x 1.4 in. 55 x 32 x 34mm
Weight	1.6 oz. (w/battery) 46g (w/battery)
Illumination Source	LED Powered by a CR2032 Lithium Battery
Battery Life	3 Years at Setting 4*
Brightness Settings	Automatic & 8 Adjustable Settings

*When used at 70°F (21°C) on setting 4 of 6 with supplied alkaline battery. Extreme temperatures (high or low) will affect battery performance.

SRO®



1.0 MOA Red Dot



2.5 MOA Red Dot



5.0 MOA Red Dot

Adjustable LED 1.0 MOA Red Dot

Black: ■ SRO1-C-2500001

Adjustable LED 2.5 MOA Red Dot

Black: ■ SRO2-C-2500002

Adjustable LED 5.0 MOA Red Dot

Black: ■ SRO3-C-2500003



8 Brightness Settings Including
1 Super Bright Mode and
2 Night Vision Modes



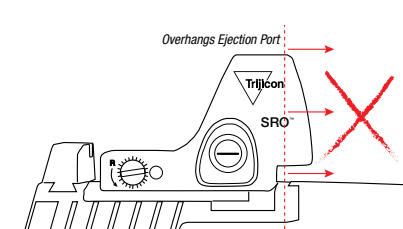
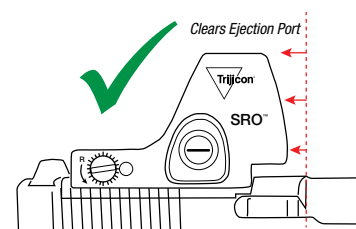
Button "Lock-out" Mode:
Secures the Auto-Brightness
Setting Feature

- Ideal for everyday carry or hunting



Button "Lock-in" Mode:
Secures the User-Chosen
Brightness Setting Indefinitely

- Ideal for competition and target shooting



It is not recommended to mount SRO on pistols if the front of the optic overhangs the chamber/breech face as this may cause the pistol to malfunction.



Trijicon

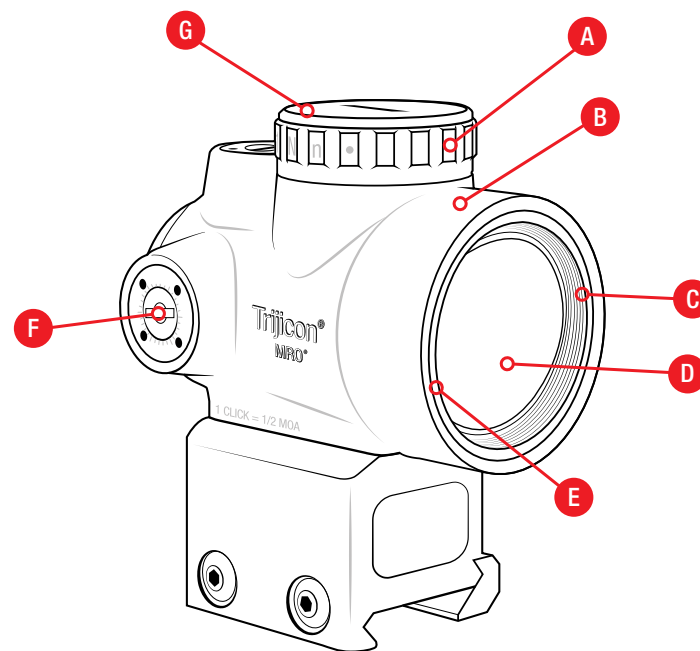
MRO®

FAST TARGET ACQUISITION EVERY TIME

The Trijicon MRO® (Miniature Rifle Optic) is a sealed miniature reflex sight intended for use on rifles, carbines, and shotguns to provide fast target acquisition. The large aperture and tapered light path maximize the viewing area and allow for better situational awareness and fast target engagement — especially from non-standard shooting positions.

Features and Benefits

- A Ambidextrous Brightness Control**
Easy usage by left- or right-handed operators without having to remove hand from fire control.
- B Aircraft-Grade Aluminum Housing**
Forged 7075 housing and fully sealed construction protects against the toughest elements; waterproof to 100 ft. (30m).
- C Large Viewing Area**
Allows faster target acquisition and engagement with reduced “tube effect.”
- D Superior Quality Glass**
Multi-coated lenses provide superior clarity and light-gathering capabilities with zero distortion and provide for a crisp dot reticle.
- E Small Footprint**
Specifically engineered with a slightly canted objective lens, allowing for a shorter optic while minimizing reflections.
- F Sub-Flush, Easy-to-Set Adjusters**
Eliminates snag hazards and maintains zero; provides positive-click reticle movement in ½-MOA increments; requires no special tools for operation.
- G Long Battery Life**
Up to 5 years of continuous use with single lithium CR2032 battery.*



*Red dot MRO on setting 5 of 8 at 70°F (21°C) with supplier lithium battery.

Specifications

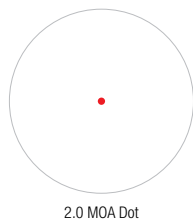


System	MRO® Red Dot	MRO® Green Dot
Magnification	1x	1x
Objective Size	25mm	25mm
Clear Aperture	0.805 in. 20.4mm	0.805 in. 20.4mm
Eye Relief	Infinite	Infinite
Adjustments	1 Click = ½ MOA	1 Click = ½ MOA
Adjustment Range (Elevation & Windage)	70 MOA Total Travel	70 MOA Total Travel
Dimensions (L x W x H)	2.6 x 1.7 x 2.0 in. 66 x 43 x 51mm	2.6 x 1.7 x 2.0 in. 66 x 43 x 51mm
Weight Without Mount	4.1 oz. (w/Supplied Lithium Battery) 116g	4.1 oz. (w/Supplied Lithium Battery) 116g
Illumination Source	LED Powered by CR2032 Lithium Battery	LED Powered by CR2032 Lithium Battery
Available Mounting Adapters	Picatinny Rail (in "Low," Full Co-Witness, and Lower 1/3 Co-Witness Heights)	Picatinny Rail (in "Low," Full Co-Witness, and Lower 1/3 Co-Witness Heights)
Battery Life	5 Years of Continuous Use* at Day-Setting 3	1 Years of Continuous Use* at Day-Setting 3
Brightness Settings	8 Total Settings: 2 Night Vision, 5 Day Settings, 1 Super-Bright	8 Total Settings: 2 Night Vision, 5 Day Settings, 1 Super-Bright

MRO® Patrol	MRO® HD	MRO® HD Magnifier
1x	1x	3x
25mm	25mm	25mm
0.805 in. 20.4mm	0.805 in. 20.4mm	0.805 in. 20.4mm
Infinite	Infinite	68mm
1 Click = ½ MOA	1 Click = ½ MOA	N/A
70 MOA Total Travel	70 MOA Total Travel	60 MOA Total Travel
3.6 x 1.8 x 2.0 in. 91 x 43 x 51mm	2.9 x 1.7 x 2.0 in. 75 x 43 x 51mm	Magnifier: 2.9 x 1.5 x 1.7 in. 74 x 39 x 44mm MRO HD & Magnifier: 6.25 x 1.7 x 2.04 in. 158.8 x 43.2 x 51.8mm
5.0 oz. (w/Supplied Lithium Battery) 141.7g	4.6 oz. (w/Supplied Lithium Battery) 130g	Magnifier: 6.5 oz. 184g MRO HD & Magnifier: 12 oz. 340.2g
LED Powered by CR2032 Lithium Battery	LED Powered by CR2032 Lithium Battery	N/A
Picatinny Rail (Full Co-Witness, and Lower 1/3 Co-Witness Heights)	Picatinny Rail (in "Low," Full Co-Witness, and Lower 1/3 Co-Witness Heights)	Quick-Release Mount <i>Please note the Trijicon MRO® HD magnifier has a unique footprint and will only work with the Trijicon magnifier mount.</i>
5 Years of Continuous Use* at Day-Setting 3	Red Dot: 2.5 years Reticle: 75 Days	N/A
8 Total Settings: 2 Night Vision, 5 Day Settings, 1 Super-Bright	16 Total Settings (8 for each reticle)	
	Red Dot: 2 Night Vision, 5 Day Settings, 1 Super-Bright	Reticle: 2 Night Vision, 5 Day Settings, 1 Super-Bright

*When used at 70°F (21°C). Extreme temperatures (high or low) will affect lithium battery performance.

1x25 MRO® (Red Dot)



2.0 MOA Dot

2.0 MOA Adjustable Red Dot (without Mount)†

Black: ■ MRO-C-2200003

2.0 MOA Adjustable Red Dot with Low Mount†

Black: ■ MRO-C-2200004

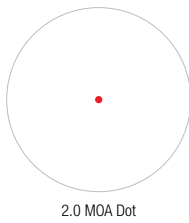
2.0 MOA Adjustable Red Dot with Full Co-Witness Mount†

Black: ■ MRO-C-2200005

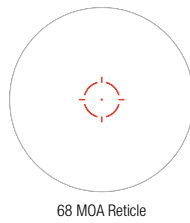
2.0 MOA Adjustable Red Dot with Lower 1/3 Co-Witness Mount†

Black: ■ MRO-C-2200006

MRO® HD and 3x Magnifier* (Red Dot | Reticle)



2.0 MOA Dot



68 MOA Reticle

68 MOA Reticle with 2.0 MOA Dot

Black: ■ MRO-C-2200050

68 MOA Reticle with 2.0 MOA Dot with Low Mount

Black: ■ MRO-C-2200051

68 MOA Reticle with 2.0 MOA Dot with Full Co-Witness Mount

Black: ■ MRO-C-2200052

68 MOA Reticle with 2.0 MOA Dot with Lower 1/3 Co-Witness Mount

Black: ■ MRO-C-2200053

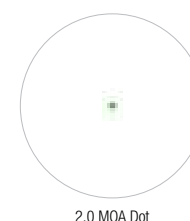
Trijicon MRO® HD Combo Set; 68 MOA Reticle with 2.0 MOA Dot with Full Co-Witness Mount & 3x Magnifier with Adjustable Height Quick-Release, Flip-to-Side Mount

Black: ■ MRO-C-2200057

Trijicon® 3x Magnifier with Adjustable Height Quick-Release, Flip-to-Side Mount†

Black: ■ MAG-C-2600001

1x25 MRO® (Green Dot)



2.0 MOA Dot

2.0 MOA Dot Adjustable Green Dot (without Mount)†

Black: ■ MRO-C-2200028

2.0 MOA Dot Adjustable Green Dot with Low Mount†

Black: ■ MRO-C-2200029

2.0 MOA Dot Adjustable Green Dot with Full Co-Witness Mount†

Black: ■ MRO-C-2200030

2.0 MOA Dot Adjustable Green Dot with Lower 1/3 Co-Witness Mount†

Black: ■ MRO-C-2200031

2.0 MOA Dot Adjustable Green Dot with Low-Levered Quick-Release Mount†

Black: ■ MRO-C-2200032

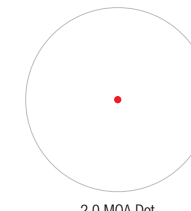
2.0 MOA Dot Adjustable Green Dot with Full Co-Witness Levered Quick-Release Mount†

Black: ■ MRO-C-2200033

2.0 MOA Dot Adjustable Green Dot with Lower 1/3 Co-Witness Levered Quick-Release Mount†

Black: ■ MRO-C-2200034

1x25 MRO® Patrol (Red Dot)



2.0 MOA Dot

2.0 MOA Adjustable Red Dot (without Mount) with KillFlash and Flip Caps†

Black: ■ MRO-C-2200017

2.0 MOA Adjustable Red Dot with Lower 1/3 Co-Witness Mount, KillFlash and Flip Caps†

Black: ■ MRO-C-2200018

2.0 MOA Adjustable Red Dot with Full Co-Witness Mount, KillFlash and Flip Caps†

Black: ■ MRO-C-2200019

*Magnifier optimized for use with the MRO HD.

†Not optimized for use with the 3x magnifier.

Reticles not shown to scale. For a full view of reticles, please visit our website at Trijicon.com.



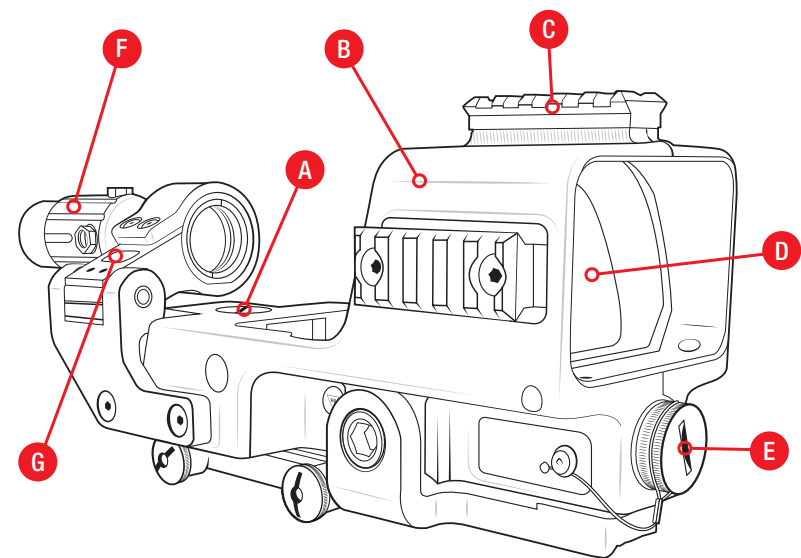
Trijicon MGRS®

BECOME A FIRST-ROUND-HIT MACHINE

The Trijicon MGRS® (Machine Gun Reflex Sight) is a non-magnified optic that mounts to both the M2 and M240 machine guns. Intended to aid the machine gunner in rapid target acquisition and engagement, the MGRS allows “both-eyes-open” engagement from a natural shooting position. Accuracy is enhanced by use of machine-gun-specific, interchangeable range dials.

Features and Benefits

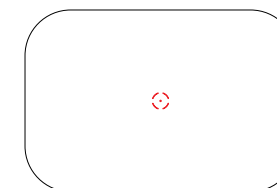
- A Windage & Elevation Adjustments**
Includes elevation and azimuth adjustment to 100 MOA total travel.
- B 35 MOA-Segmented Circle with 3 MOA Dot**
Significantly increases the probability of first-round hits.
- C Three Detachable Picatinny Rails**
Detachable rails allow for mounting of lasers and LRFs to the top or side of optic.
- D Large Objective Lens**
Ample 3 in. x 2 in. viewing area.
- E Easily Accessible Battery Compartment**
Requires one CR123A lithium battery.
- F 3x Magnifier**
Built to work with the Trijicon MGRS® for the ultimate first-round hit solution.
- G Magnifier Flip Mount**
Attaches the 3x MGRS Magnifier to MGRS main body and allows for flip-to-the-side control.





	MGRS®	MGRS® Mag Combo
Magnification	1x	3x
Reticle Pattern	35 MOA Segmented Circle with 3 MOA Dot	35 MOA Segmented Circle with 3 MOA Dot
Day Reticle Color	Red	Red
Housing Material	7075-T6 Forged Aluminum	7075-T6 Forged Aluminum
Immersion	Waterproof to 2m (6.6 ft.)	Waterproof to 2m (6.6 ft.)
Adjustment Range (Elevation & Windage)	100 MOA Total Travel	40 MOA Total Travel
Dimensions (L x W x H)	8.78 x 4.38 x 5.22 in. 108 x 34 x 42mm	12.1 x 4.4 x 5.3 in. 136 x 34 x 42mm
Weight	66.9 oz. 4.18 lbs.	72.49 oz. 4.53 lbs.
Range	Interchangeable Range Knobs for M2 and M240	Interchangeable Range Knobs for M2 and M240
Illumination Source	LED Powered by a CR123A Lithium Battery	LED Powered by a CR123A Lithium Battery

MGRS®

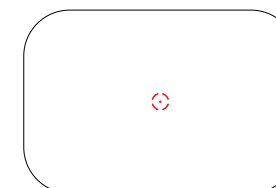


35 MOA-Segmented Circle with 3 MOA Dot

35 MOA-Segmented Circle with 3 MOA Dot

Black: ■ MGRS-D-2300002

MGRS® Mag Combo



35 MOA-Segmented Circle with 3 MOA Dot

35 MOA-Segmented Circle with 3 MOA Dot with 3x Magnifier and Integrated Mount

Black: ■ MGRS-D-2300005



MGRS® Magnifier: 3x magnifier built to work with the Trijicon MGRS (TA50-C-400301)



MGRS® MAG Flip Mount: Attaches the 3x MGRS Magnifier to MGRS main body (AC32072)

The Trijicon MGRS® MAG 3x Magnifier is built to work with the MGRS for the ultimate first-round hit solution. It is shown here with a flip-to-the-side mount sold separately or with the MGRS/MAG Combo. Reticles not shown to scale. For a full view of reticles, please visit our website at Trijicon.com.



Trijicon®

Iron Sights

THE FIRST CHOICE OF PROFESSIONALS

There's a reason so many Trijicon® iron sights are trusted by local, state and federal law enforcement agencies, as well as the most discerning pistol sports shooters on the planet: They're designed for faster target acquisition in any lighting situation, as well as designed to take on abuse and still operate with precision. Upgrade your iron sights with proven, superior aiming technology.

IRON SIGHTS



**Trijicon®
Fiber Sights**



**DI™
Night Sights**



**Bright & Tough™
Night Sights**



**Suppressor/Optic
Height Sights**



HD™ Night Sights

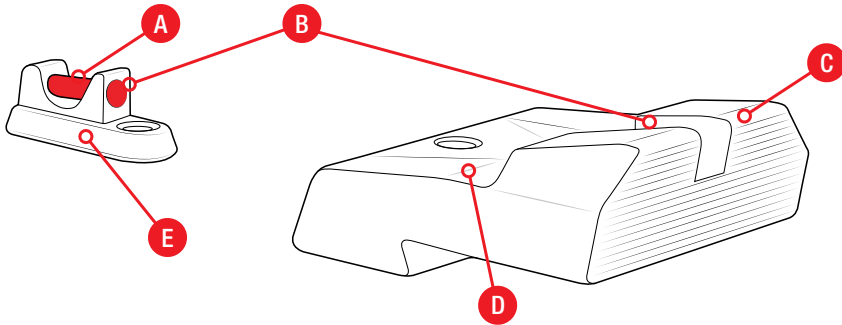


**HD XR™
Night Sights**

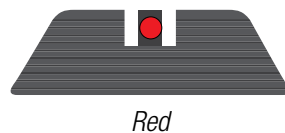
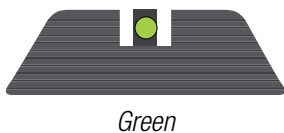
Trijicon® Fiber Sights

Features and Benefits

- A Highly Visible Front Sight**
A bright front post fiber (.060 in. diameter) combined with a subdued rear sight promotes acquisition of front sight and target.
- B Clear, Precise Sight Picture**
The .110 in. width front post and .125 in. wide rear notch allow for a refined sight picture in a variety of shooting environments.
- C Comfortable to Conceal**
Rounded edges of rear sight reduce snag points for improved comfort while carrying.
- D One-Handed Manipulation**
Steeply hooked front surface of rear sight assists in emergency one-handed slide manipulations.
- E Withstands Rigorous, Everyday Pistol Use**
Using leading-edge Trijicon® fiber optic materials and decades of iron sight development, this sight is designed to withstand rigorous shooting, holstering and rough slide handling.



Available Fiber Colors:

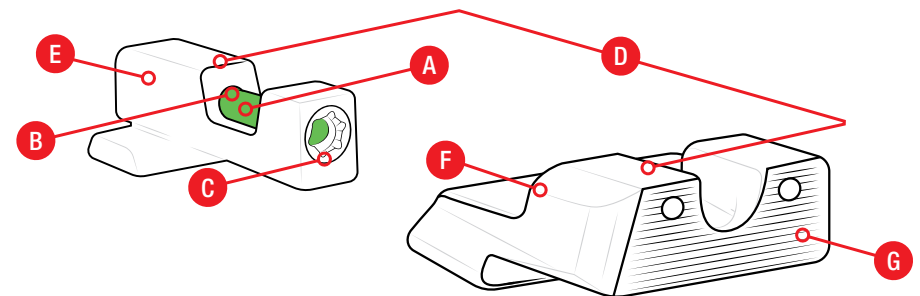


Trijicon® Fiber Sights come from the factory with a red fiber preinstalled on the front sight, along with additional red and green fiber replacements. Additional fiber replacements are available for purchase.

Trijicon DI™ Night Sights

Features and Benefits

- A Dual-Illuminated Brightness in Any Light**
Trijicon's specialized fiber finishing technique and advanced fiber optic material ensures exceptional daylight brightness. A tritium lamp guarantees an illuminated aiming point, even in total darkness.
- B User-Replaceable Fiber**
A threaded retainer on the front sight allows users to quickly replace any lost or damaged fiber pieces.
- C Customizable Aiming Solutions**
Additional color choices for fiber and threaded retainers available for users to tailor their aiming point to suit their needs.
- D Visible Sight Picture in No-Light and Low-Light Situations**
Tritium phosphor-filled glass lamp illuminates sights for high visibility in all lighting situations.
- E Field-Ready Construction**
Steeply hooked front surface of rear sight to assist in emergency, one-handed slide manipulation.
- F Designed for Everyday Pistol Use**
Steeply hooked front surface of rear sight assists in emergency one-handed slide manipulations.
- G Proven Experience You Can Trust**
Designed, engineered, and manufactured in Wixom, Michigan, applying decades of knowledge and experience to devise battle-proven tritium and fiber optic aiming solutions.



Color Combinations:

- Amber and green fiber replacements available
- Black, white, orange, and yellow retainer replacements available

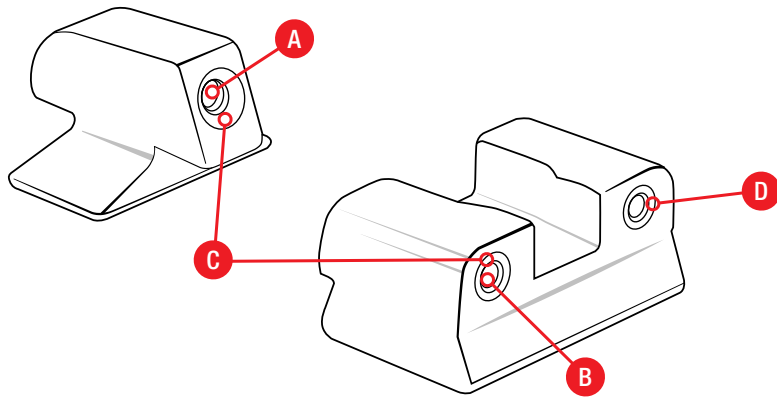


Removable retainer ring allows access to user-replacement fiber

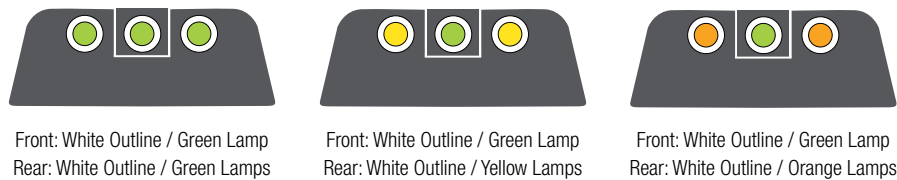
Trijicon Bright & Tough™ Night Sights

Features and Benefits

- A Visible Sight Picture In No-Light/Low-Light Situations**
Tritium phosphor-filled glass lamp provides battery-free glow for a visible sight picture in all lighting situations.
- B Enhanced Protection from Heavy Recoil and Harsh Cleaning Solvents**
Tritium gas lamps are contained within protective aluminum sleeve cushioned with silicone for maximum durability and are capped with a sapphire jewel to protect the lamp from puncture and solvents.
- C Daylight Dot Visibility**
White-painted rings around tritium lamps enhance user's ability to see sight picture in bright-light shooting situations.
- D Evenly Distributes Light From Tritium Lamps**
Each Trijicon® tritium lamp is capped with a sapphire jewel that helps evenly distribute the light, providing a uniform brightness for crisp, clear low-light performance.



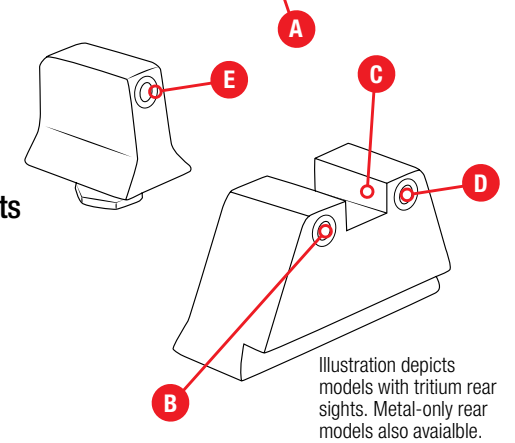
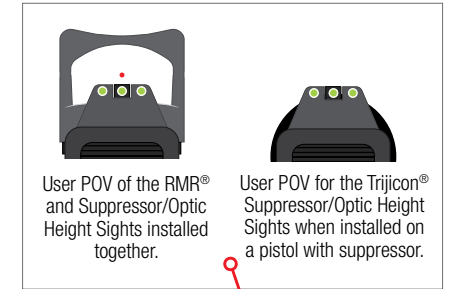
Color Combinations:



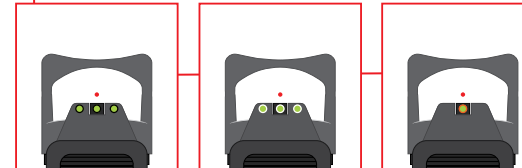
Suppressor/Optic Height Sights

Features and Benefits

- A Increased Height To Accommodate Multiple Applications**
Specifically engineered to be as robust as possible for use with a suppressor or as backup iron sights for a slide-mounted red dot sight.
- B Instant Sight Picture in No-Light and Low-Light Situations**
Tritium illumination for a visible sight picture in any lighting condition.
- C Enhanced Protection from Heavy Recoil and Harsh Cleaning Solvents**
Tritium gas lamps are contained within protective aluminum cylinders cushioned with silicone for maximum durability.
- D Evenly Distributed Light From Tritium Lamps**
Each Trijicon® tritium lamp is capped with a sapphire jewel that helps evenly distribute the light and also acts as an additional layer of protection from puncture and cleaning solvents.

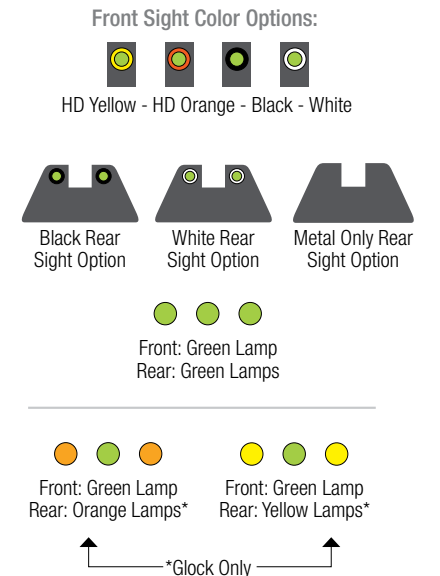


- E Front Sight Color Options**
Trijicon suppressor/optic height sights include a sapphire-capped green tritium vial and a variety of painted front outline color options.



- Black front paint:** ideal for users looking for a backup iron sight solution that wants to keep focus on their red dot aiming point.
- White front paint:** ideal as a backup iron sight that gives users the extra edge in co-witnessing with their red dot and quick alignment.
- Yellow or Orange HD Paint:** For users that want a bright, fast front sight picture in any lighting condition.

Color Combinations:



MAGNIFIED
REFLEX
IRON SIGHTS
ELECTRO OPTICS
ARCHERY
ACCESSORIES
CUSTOMER CARE

Trijicon HD™ Night Sights

Features and Benefits

A Enhanced Front-Sight Acquisition In Bright, Transitional, and No-Light Situations

Glow-in-the-dark, photoluminescent-painted front outline combines with a “U” notch rear and black-painted rear outlines to quickly draw your eye to the front post in all lighting conditions.

B Evenly Distributed Light From Tritium Lamps

Each Trijicon® tritium lamp is capped with a sapphire jewel that helps evenly distribute the light, providing a uniform brightness for crisp, clear low-light performance.

C Visible Sight Picture In No-Light and Low-Light Situations

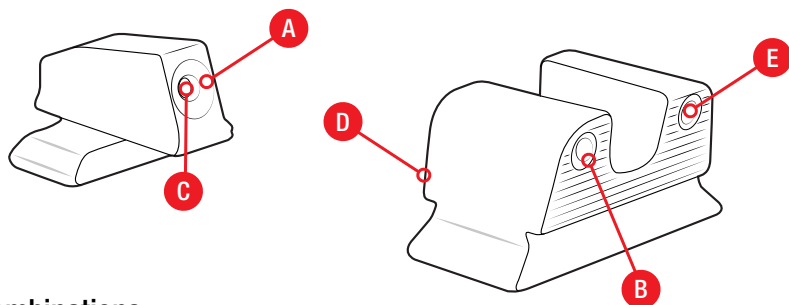
Tritium phosphor-filled glass lamp illuminates sights for high visibility in all lighting situations.

D One-Handed Slide Manipulation

Steeply hooked front surface of rear sight to assist in emergency, one-handed slide manipulation.

E Enhanced Protection from Heavy Recoil and Harsh Cleaning Solvents

Tritium gas lamps are contained within protective aluminum cylinders cushioned with silicone for maximum durability and are capped with a sapphire jewel to protect the lamp from puncture and solvents.



Color Combinations:



Front: Yellow Outline / Green Lamp
Rear: Black Outline / Green Lamps



Front: Orange Outline / Green Lamp
Rear: Black Outline / Green Lamps

Trijicon HD XR™ Night Sights

Features and Benefits

A Expanded Field of View and a Precision Sight Picture for Longer-Range Engagements

Thin front post (.122 in. width) promotes a larger field of view for fast target identification and engagement at longer distances.

B Visible Sight Picture in No-Light and Low-Light Situations

Tritium phosphor-filled glass lamp illuminates sights for high visibility in all lighting situations.

C Enhanced Protection From Heavy Recoil and Harsh Cleaning Solvents

Tritium gas lamps are contained within protective aluminum cylinders and have additional silicone rubber cushioning.

D Enhanced Front-Sight Acquisition in Bright, Transitional, and No-Light Situations

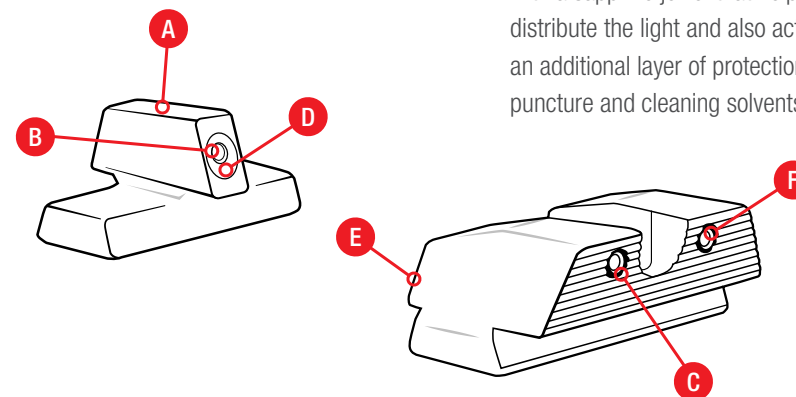
Glow-in-the-dark, photoluminescent-painted front outline combines with a “U” notch rear and black-painted rear outlines to quickly draw your eye to the front post in all lighting conditions.

E One-Handed Slide Manipulation

Steeply hooked front surface to assist in emergency, one-handed slide manipulation.

F Evenly Distributed Light From Tritium Lamps

Each Trijicon® tritium lamp is capped with a sapphire jewel that helps evenly distribute the light and also acts as an additional layer of protection from puncture and cleaning solvents.



Color Combinations:



Front: Yellow Outline / Green Lamp
Rear: Black Outline / Green Lamps



Front: Orange Outline / Green Lamp
Rear: Black Outline / Green Lamps

Trijicon® Iron Sights Comparison Guide



	Fiber	DI™	Bright & Tough™
Features	<ul style="list-style-type: none"> • Exceptional daylight visibility for enhanced sight and target acquisition. • Precise sight picture for engagements past CQB distances. • One-handed slide manipulation assistance. • Choose a red or green fiber aiming point. 	<ul style="list-style-type: none"> • Exceptional brightness in any lighting conditions. • Proprietary, user-replaceable design allows users to easily change lost or damaged fibers. • One-handed slide manipulation assistance. • Additional color choices for fiber and threaded retainers available 	<ul style="list-style-type: none"> • The original tritium-illuminated night sight solution. • Provides sight picture in all lighting conditions.
Tritium Phosphor-Filled Lamps		✓	✓
Protective Aluminum Sleeves with Silicone Rubber Cushioning		✓	✓
Sapphire Jewel for Evenly Distributed Light		✓	✓
Fiber Optic-Illuminated Front Post	✓	✓	
Enhanced Daylight Brightness	✓	✓	✓
“Square” Notch Rear Sight	✓		✓
“U” Notch Rear Sight		✓	
Increased Height (for Compatibility with Suppressors and Pistol-Mounted Red Dot Sights)			
Glow-In-The-Dark Painted Front Sight Outline			
Steeply Hooked Rear Sight	✓	✓	
Thin Front Post	✓		
Trijicon® Tritium Warranty		✓	✓

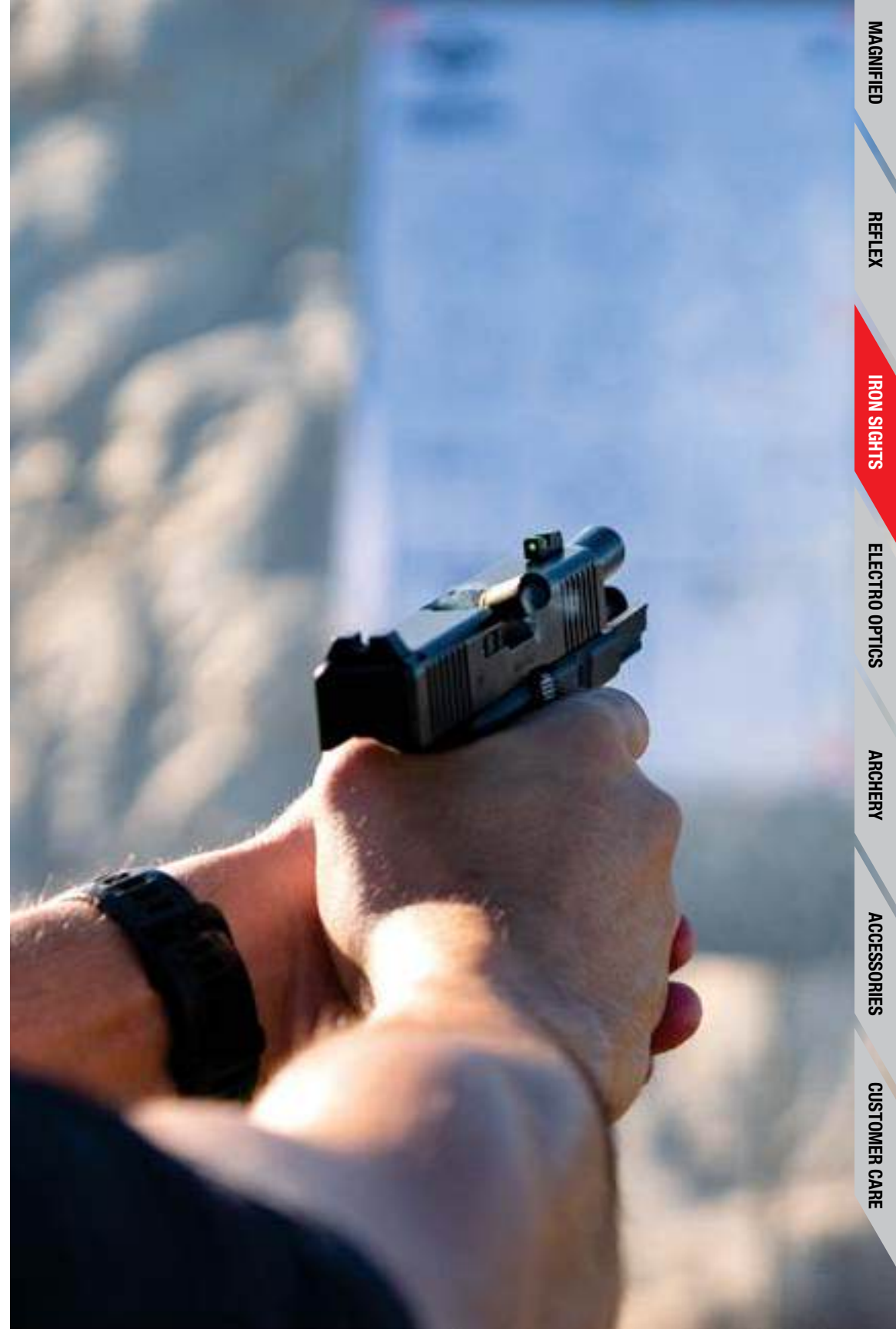
Suppressor/Optic Height	HD™	HD XR™
<ul style="list-style-type: none"> • Optimized for use with suppressors and pistol-mounted red dot sights. • Provides sight picture in all lighting conditions. 	<ul style="list-style-type: none"> • Enhanced front sight acquisition in all lighting conditions. • Optimized sight picture for transitional lighting. • One-handed slide manipulation assistance. 	<ul style="list-style-type: none"> • More precise sight picture for longer engagements. • Enhanced front sight acquisition in all lighting conditions. • Optimized sight picture for transitional lighting. • One-handed slide manipulation assistance.
✓	✓	✓
✓	✓	✓
✓	✓	✓
✓*	✓	✓
✓		
	✓	✓
✓		
✓*	✓	✓
	✓	✓
		✓
✓	✓	✓

* Available in select models.

Visit Trijicon.com/IronSights to find the most up-to-date information of available part numbers.

Trijicon® Iron Sights Fit Guide

Firearm Manufacturers	Trijicon® Fiber Sights	DI™ Night Sights	Bright & Tough™ Night Sights	Suppressor/ Optic Height Sights	HD™ Night Sights	HD XR™ Night Sights
1911	✓		✓		✓	
AR15/M16			✓			
Beretta			✓		✓	✓
Browning			✓			
Colt			✓		✓	
CZ	✓		✓			✓
Desert Eagle			✓			
FN America	✓		✓	✓	✓	✓
Glock	✓	✓	✓	✓	✓	✓
H&K	✓		✓	✓	✓	✓
Remington			✓		✓	
Ruger			✓		✓	
Sig Sauer	✓		✓	✓	✓	✓
Smith & Wesson	✓	✓	✓	✓	✓	✓
Springfield Armory	✓	✓	✓	✓	✓	✓
Steyr-Mannlicher			✓			
Taurus			✓			
Walther	✓		✓		✓	



MAGNIFIED
REFLEX
IRON SIGHTS
ELECTRO OPTICS
ARCHERY
ACCESSORIES
CUSTOMER CARE



ELECTRO OPTICS



REAP-IR®



IR-HUNTER®



IR-PATROL®



Trijicon

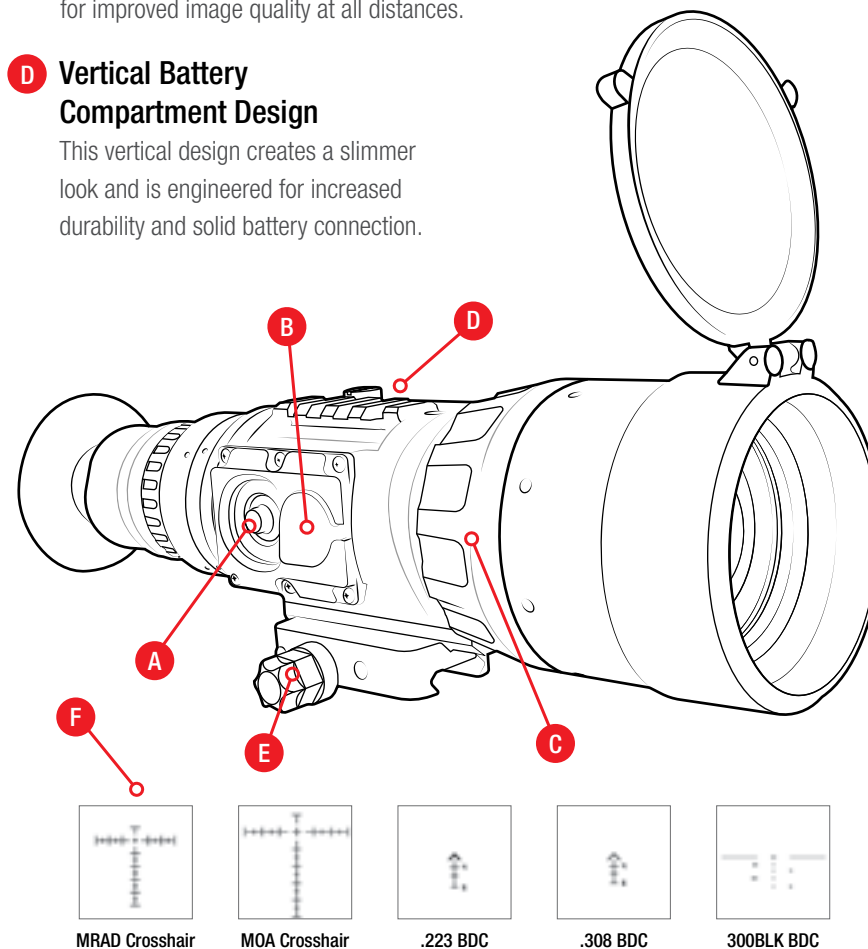
REAP-IR®

GET ROUNDS ON TARGET FASTER THAN EVER

The Trijicon REAP-IR® thermal rifle scope is a small, light, powerful thermal rifle scope that lets you engage targets in any light. It's trusted by the most demanding shooters and hunters, who require speed and accuracy for nighttime use. Choose from multiple magnification levels and fields of view to fit your specific needs.

Features and Benefits

- A Faster System Control**
New and improved digital thumbstick provides improved system response.
- B Expanded Functionality**
New USB-C connector allows the use of external battery packs and download of analog and digital video with available adapter with compatible DVRs.
- C Premium Image Quality**
New manual focus adjustment (60mm only) for improved image quality at all distances.
- D Vertical Battery Compartment Design**
This vertical design creates a slimmer look and is engineered for increased durability and solid battery connection.
- E Mounting Versatility**
New quick release mount featuring Trijicon® Q-LOC™ Technology provides multiple mounting locations with the ability to affix the scope rapidly and reliably in the dark.
- F Improved Reticle Choices**
User-selectable reticle choices include the classic crosshair, and new MRAD, MOA, .223 REM, .308 WIN, and 300BLK BDC.



ITAR EXPORT WARNING: Export of the commodities described herein is strictly prohibited without a valid export license issued by the U.S. Department of State, Directorate of Defense Trade Controls as proscribed in the International Traffic in Arms Regulations (ITAR), Title 22 Code of Federal Regulation, Parts 120–130

Specifications



System	REAP-24-3	REAP-35-3
Sensor Resolution	640x480	640x480
Sensor Micron	12 µm	12 µm
Sensor Type	Vox Vanadium Oxide	Vox Vanadium Oxide
Frame Rate	60 Hz	60 Hz
Display Type	Digital OLED	Digital OLED
Thermal Sensitivity	< 50 mK	< 50 mK
Spectral Response	8–12 µm	8–12 µm
Field of View	18°	12°
Eye Relief	27mm	27mm
Diopter	-6 /+2	-6 /+2
Optical Magnification	1.2x	1.75x
Digital Zoom	1-8x	1-8x
Combined Magnification	1.2-9.6x	1.75-14x
Objective Lens	24mm f/1.2	35mm f/1.2
Battery Pack	Top Loading / Vertical	Top Loading / Vertical
Battery Type	(2) CR123 and/or External USB	(2) CR123 and/or External USB
Battery Life	Approx. 4 hrs using (2) CR123	Approx. 4 hrs using (2) CR123
Environmental	-25.6°F (-32°C) to 122°F (50°C) Operating -59.8°F (-51°C) to 160°F (71°C) Storage	-25.6°F (-32°C) to 122°F (50°C) Operating -59.8°F (-51°C) to 160°F (71°C) Storage
Submersion	1m / 1 hr	1m / 1 hr
Weight	24.7 oz. / 728g	26.5 oz. / 751g
Dimensions** (L x W x H)	8.4 in. x 3.1 in. x 2.9 in. (214.1mm x 79.3mm x 73.1mm)	8.6 in. x 3.1 in. x 2.9 in. (220.4mm x 79.3mm x 73.1mm)
User Interface	Joystick	Joystick
Mounting Kit	Picatinny Rail Mount	Picatinny Rail Mount
Easy Zero	✓	✓
Image Capture	✓	✓

System	REAP-60-3
Sensor Resolution	640x480
Sensor Micron	12 µm
Sensor Type	Vox Vanadium Oxide
Frame Rate	60 Hz
Display Type	Digital OLED
Thermal Sensitivity	< 50 mK
Spectral Response	8–12 µm
Field of View	7°
Eye Relief	27mm
Diopter	-6 /+2
Optical Magnification	3x
Digital Zoom	1-8x
Combined Magnification	3-24x
Objective Lens	60mm f/1.25
Battery Pack	Top Loading / Vertical
Battery Type	(2) CR123 and/or External USB
Battery Life	Approx. 4 hrs using (2) CR123
Environmental	-25.6°F (-32°C) to 122°F (50°C) Operating -59.8°F (-51°C) to 160°F (71°C) Storage
Submersion	1m / 1 hr
Weight	37.8 oz. / 1071g
Dimensions** (L x W x H)	9.7 in. x 3.1 in. x 2.9 in. (247.6mm x 79.3mm x 73.1mm)
User Interface	Joystick
Mounting Kit	Picatinny Rail Mount
Easy Zero	✓
Image Capture	✓

Field of View

Subject shown 100m from thermal optic at 1x digital magnification.



REAP-IR 24mm



REAP-IR 35mm



REAP-IR 60mm

** Length does not include flip caps, width does not include mount knob, height from top of rail.



Trijicon

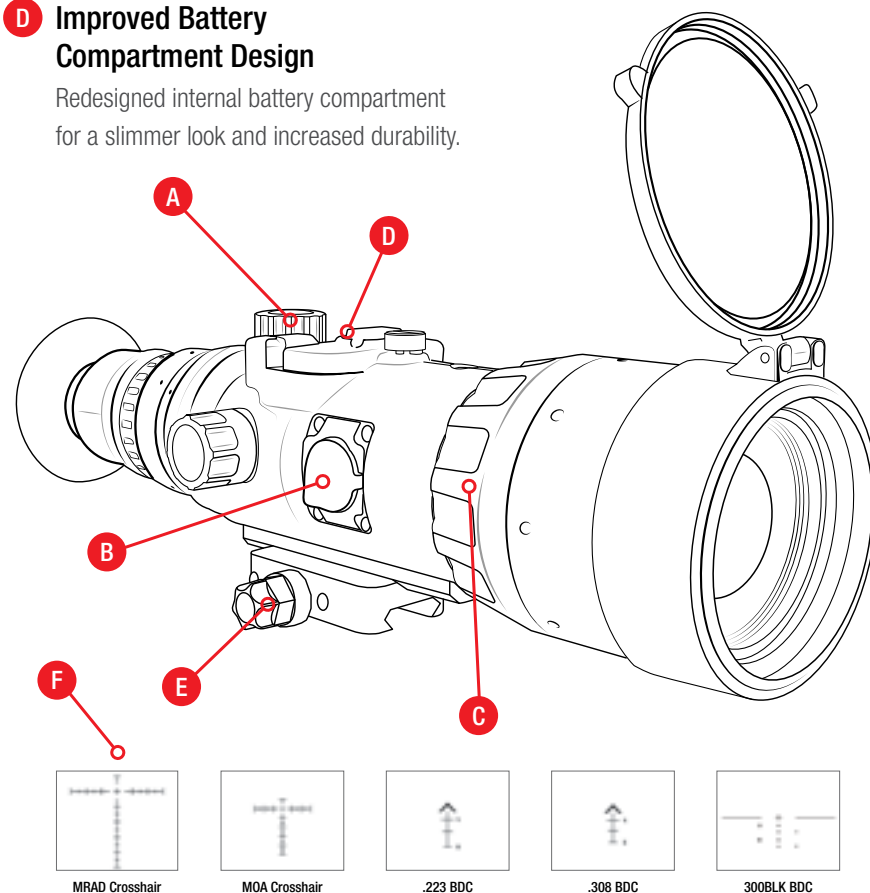
IR-HUNTER®

LIGHTS-OUT PRECISION FOR A SUPERIOR HUNTING ADVANTAGE

Meet the advanced thermal hunting scope that's built for one purpose: a successful hunt every time. More than 25 years of night vision system design has led us to the user-friendly ergonomics and advanced infrared technology of the Trijicon IR-HUNTER® thermal weapon series. All you have to think about is sight alignment and trigger squeeze. Choose from multiple magnifications, fields of view, and distance needs.

Features and Benefits

- A Faster System Control**
New and improved rotary knobs provides improved system response and reduced lag.
- B Expanded Functionality**
New USB-C connector allows the use of external battery packs, and download of analog and digital video with available adapter with compatible DVRs.
- C Premium Image Quality**
New manual focus adjustment (60mm only) for improved image quality at all distances.
- D Improved Battery Compartment Design**
Redesigned internal battery compartment for a slimmer look and increased durability.
- E Mounting Versatility**
New quick release mount featuring Trijicon® Q-LOC™ Technology provides multiple mounting locations with the ability to affix the scope rapidly and reliably in the dark.
- E Improved Reticle Choices**
User-selectable reticle choices include the classic crosshair, and new MRAD, MOA, .223 REM, .308 WIN, and 300BLK BDC.



ITAR EXPORT WARNING: Export of the commodities described herein is strictly prohibited without a valid export license issued by the U.S. Department of State, Directorate of Defense Trade Controls as proscribed in the International Traffic in Arms Regulations (ITAR), Title 22 Code of Federal Regulation, Parts 120–130

Specifications



	HUNTER-24-2	HUNTER-35-2
Sensor Resolution	640x480	640x480
Sensor Micron	12 µm	12 µm
Sensor Type	Vox	Vox
Frame Rate	30 Hz / 60 Hz	30 Hz / 60 Hz
Display Type	OLED	OLED
Thermal Sensitivity	<50 mK	<50 mK
Spectral Response	8–12 µm	8–12 µm
Field of View	18°	12°
Eye Relief	27mm	27mm
Diopter	-6 / +2	-6 / +2
Optical Magnification	1.2x	1.75x
Digital Zoom	1-8x	1-8x
Combined Magnification	1.2-9.6x	1.75-14x
Objective Lens	24mm f/1.2	35mm f/1.2
Battery Pack	(2) CR123	(2) CR123
Battery Life	Approx. 4 hrs	Approx. 4 hrs
Environmental	-25.6°F (-32°C) to 122°F (50°C) Operating -59.8°F (-51°C) to 160°F (71°C) Storage	-25.6°F (-32°C) to 122°F (50°C) Operating -59.8°F (-51°C) to 160°F (71°C) Storage
Submersion	1m / 1 hr	1m / 1 hr
Weight	28.4 oz. / 805g	29.1 oz. / 825g
Dimensions (L x W x H)	9.6 in. x 3.0 in. x 3.2 in. (246mm x 76.2mm x 81.8mm)	9.8 in. x 3.0 in. x 3.2 in. (250.8mm x 76.2mm x 81.8mm)
User Interface	Dial Encoders	Dial Encoders
Mounting Kit	Mini Picatinny Rail Mount	Mini Picatinny Rail Mount
Easy Zero	✓	✓
Image Capture	✓	✓

	HUNTER-60-2
Sensor Resolution	640x480
Sensor Micron	12 µm
Sensor Type	Vox
Frame Rate	30 Hz / 60 Hz
Display Type	OLED
Thermal Sensitivity	<50 mK
Spectral Response	8–12 µm
Field of View	7°
Eye Relief	27mm
Diopter	-6 / +2
Optical Magnification	3x
Digital Zoom	1-8x
Combined Magnification	3-24x
Objective Lens	60mm f/1.2
Battery Pack	(2) CR123
Battery Life	Approx. 4 hrs
Environmental	-25.6°F (-32°C) to 122°F (50°C) Operating -59.8°F (-51°C) to 160°F (71°C) Storage
Submersion	1m / 1 hr
Weight	40.7 oz. / 1140g
Dimensions (L x W x H)	11.0 in. x 3.0 in. x 3.2 in. (279.4mm x 76.2mm x 81.8mm)
User Interface	Dial Encoders
Mounting Kit	Mini Picatinny Rail Mount
Easy Zero	✓
Image Capture	✓

Field of View

Subject shown 100m from thermal optic at 1x digital magnification.



IR-HUNTER 24mm



IR-HUNTER 35mm



IR-HUNTER 60mm

** Length does not include flip caps, width does not include mount knob, height from top of rail.

Trijicon

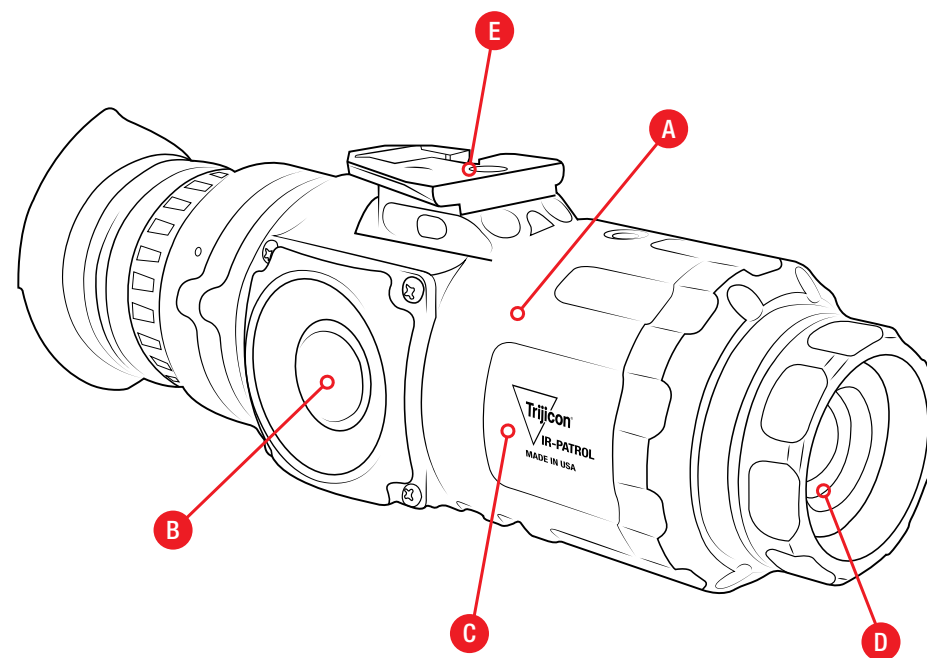
IR-PATROL®

THE MULTI-PURPOSE, HIGH-PERFORMANCE THERMAL IMAGING MONOCULAR

Whether your mission is searching for a suspect or securing your position, the Trijicon IR-PATROL® is the ideal multi-purpose thermal imaging monocular. It's compact, lightweight and rugged; offering some of the most advanced performance options on the market for a clear, sharp image. Choose from handheld, helmet-mounted or rifle-mounted IR-PATROL systems.

Features and Benefits

- A Outstanding Image Quality**
The state-of-the-art 640x480, 12-micron, 60 Hz thermal core provides exceptional clarity in complete darkness.
- B Easy-to-Use**
The miniature thumbstick, simple menu system, and user-configurable, quick-select menu enable quick zeroing and intuitive control.
- C Built to Endure**
The machined 6061 aluminum housing was designed and tested to MIL-STD-810G for years of worry-free use in the field.
- D Manual Focus Objective**
Allows easy adjustments for optimal image definition, near and far.
- E Versatile Mounting Interface**
Allows user to use as a handheld, helmet-mounted or rifle-mounted thermal solution.



ITAR EXPORT WARNING: Export of the commodities described herein is strictly prohibited without a valid export license issued by the U.S. Department of State, Directorate of Defense Trade Controls as proscribed in the International Traffic in Arms Regulations (ITAR), Title 22 Code of Federal Regulation, Parts 120–130

Specifications



System	LE100	LE100C
Application	Handheld / Tripod Mounted	Handheld / Tripod Mounted
Sensor Resolution	640x480	640x480
Sensor Micron	12 µm	12 µm
Sensor Type	VOx Vanadium Oxide	VOx Vanadium Oxide
Frame Rate	30 Hz	30 Hz
Display Type	Digital OLED	Digital OLED
Thermal Sensitivity	< 50 mK	< 50 mK
Spectral Response	8–12 µm	8–12 µm
Field of View	22°	22°
Eye Relief	27mm	27mm
Diopter	-6 /+2	-6 /+2
Magnification / E-Zoom	1x Optical / 8x Digital	1x Optical / 8x Digital
Objective Lens	19mm f/1.2	19mm f/1.2
Battery Type	CR123 Lithium	CR123 Lithium
Battery Life	Approx. 2 Hours Per Battery	Approx. 2 Hours Per Battery
Environmental	-40°C to +55°C Operating -45°C to +75°C Storage	-40°C to +55°C Operating -45°C to +75°C Storage
Weight	16 oz. / 454g	16 oz. / 454g
Dimensions (L x H x W)	5.95 x 2.0 x 2.95 in.	5.95 x 2.0 x 2.95 in.
User Interface	Thumbstick	Thumbstick
Mounting Kit	¼-20 Interface	¼-20 Interface
Download Cable		✓
Shoe Interface		
Polarity / E-Zoom	✓	✓
Edge Detect		
Image Capture		✓
Video Out		
Reticle Feature		
Configuration Level		



M250	M250K
Handheld / Helmet Mounted	Handheld / Helmet Mounted
640x480	640x480
12 µm	12 µm
VOx Vanadium Oxide	VOx Vanadium Oxide
60 Hz	60 Hz
Digital OLED	Digital OLED
< 50 mK	< 50 mK
8–12 µm	8–12 µm
22°	22°
27mm	27mm
-6 /+2	-6 /+2
1x Optical / 8x Digital	1x Optical / 8x Digital
19mm f/1.2	19mm f/1.2
CR123 Lithium	CR123 Lithium
Approx. 2 Hours Per Battery	Approx. 2 Hours Per Battery
-40°C to +55°C Operating -45°C to +75°C Storage	-40°C to +55°C Operating -45°C to +75°C Storage
16 oz. / 454g	16 oz. / 454g
5.95 x 2.0 x 2.95 in.	5.95 x 2.0 x 2.95 in.
Thumbstick	Thumbstick
Wilcox® Shoe Interface	Wilcox® Shoe Interface Wilcox® Bridge Assembly
	✓
✓	✓
✓	✓
✓	✓
✓	✓
✓	✓
✓	✓

Specifications



System	M250XR	M300
Application	Handheld / Tripod Mounted	Handheld / Helmet Mounted / Rifle
Sensor Resolution	640x480	640x480
Sensor Micron	12 µm	12 µm
Sensor Type	VOx Vanadium Oxide	VOx Vanadium Oxide
Frame Rate	60 Hz	60 Hz
Display Type	Digital OLED	Digital OLED
Thermal Sensitivity	< 50 mK	< 50 mK
Spectral Response	8–12 µm	8–12 µm
Field of View	7°	22°
Eye Relief	27mm	27mm
Diopter	-6 /+2	-6 /+2
Magnification / E-Zoom	4.5x Optical / 36x Digital	1x Optical / 8x Digital
Objective Lens	60mm f/1.25	19mm f/1.2
Battery Type	CR123 Lithium	CR123 Lithium
Battery Life	Approx. 2 Hours Per Battery	Approx. 2 Hours Per Battery
Environmental	-40°C to +55°C Operating -45°C to +75°C Storage	-40°C to +55°C Operating -45°C to +75°C Storage
Weight	27 oz. / 755g	16 oz. / 454g
Dimensions (L x H x W)	8.0 x 3.3 x 3.0 in.	5.95 x 2.0 x 2.95 in.
User Interface	Thumbstick	Thumbstick
Mounting Kit	¼-20 Interface	Wilcox® Shoe Interface
Download Cable	✓	
Shoe Interface		✓
Polarity / E-Zoom	✓	✓
Edge Detect	✓	✓
Image Capture	✓	✓
Video Out	✓	✓
Reticle Feature		✓
Configuration Level	✓	✓



M300K	M300TK
Handheld / Helmet Mounted / Rifle	Handheld / Helmet Mounted / Rifle
640x480	640x480
12 µm	12 µm
VOx Vanadium Oxide	VOx Vanadium Oxide
60 Hz	60 Hz
Digital OLED	Digital OLED
< 50 mK	< 50 mK
8–12 µm	8–12 µm
22°	22°
27mm	27mm
-6 /+2	-6 /+2
1x Optical / 8x Digital	1x Optical / 8x Digital
19mm f/1.2	19mm f/1.2
CR123 Lithium	CR123 Lithium
Approx. 2 Hours Per Battery	Approx. 2 Hours Per Battery
-40°C to +55°C Operating -45°C to +75°C Storage	-40°C to +55°C Operating -45°C to +75°C Storage
16 oz. / 454g	16 oz. / 454g
5.95 x 2.0 x 2.95 in.	5.95 x 2.0 x 2.95 in.
Thumbstick	Thumbstick
Wilcox® Shoe Interface Wilcox® Flip Mount	Wilcox® Shoe Interface Wilcox® Bridge Assembly Wilcox® Flip Mount
✓	✓
✓	✓
✓	✓
✓	✓
✓	✓
✓	✓
✓	✓
✓	✓



ARCHERY SIGHTS



ACOG® XB

Trijicon

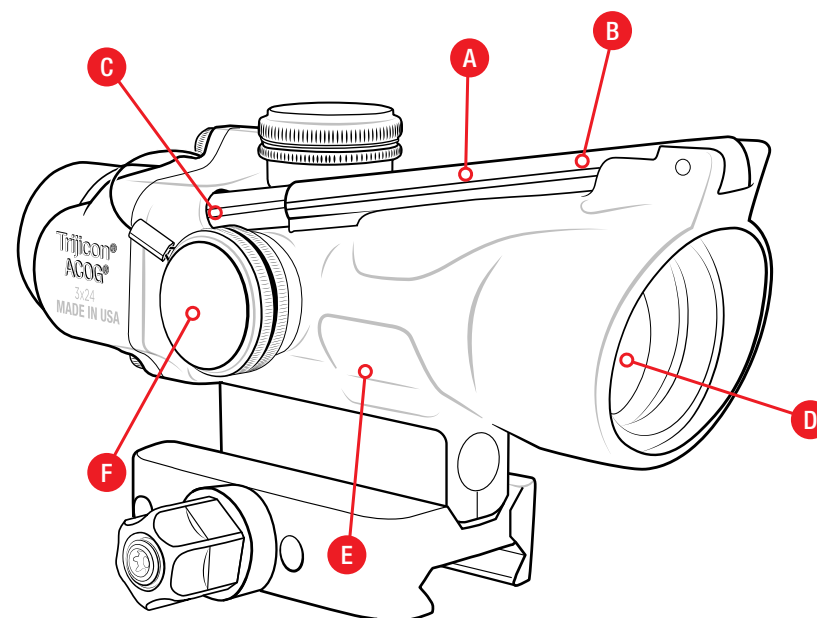
ACOG® XB

TARGET ACQUISITION YOU CAN TRUST IN LOW LIGHT.

The Trijicon ACOG® XB Crossbow Scope is compact, lightweight, rugged, and battery-free. Utilizing the same platform as the traditional ACOG, this crossbow optic is tough, accurate, and reliable. The reticle is illuminated in any light by fiber optics and tritium, has bolt drop-compensated stadia lines and features a built-in ranging reference system.

Features and Benefits

- A 100% Battery-Free**
Trijicon ACOG® XB delivers increased hit potential in all lighting conditions—without the use of batteries.
- B Trijicon® Fiber Optics**
Automatically adjusts the brightness level and contrast of the reticle to available light conditions.
- C Tritium-Phosphor Lamp**
Aiming reticle glows in low-light conditions for quick target acquisition. Lamp is guaranteed to illuminate for 15 years.
- D Broadband Anti-Reflective Coated Lenses**
Multi-coated lens provides superior clarity and light-gathering capabilities with zero distortion.
- E Forged 7075-T6 Aluminum Housing**
Aircraft-grade-aluminum housing provides extreme durability and light weight in a compact design, built to withstand the shock pattern of all crossbows.
- F Internally Adjustable Settings**
Since only the prism housing moves, the Trijicon ACOG XB is much more rugged than conventional designs.





	3x24 XB
Magnification	3x
Objective Lens	24mm
Eye Relief	1.4 in. 35.6mm
Exit Pupil	0.32 in. 8.1mm
Field of View (Degrees)	4.9°
Field of View	25.6 ft. @ 100 yd. 8.6m @ 100m
Adjustments	7 Clicks Per in. @ 30 yd.
Dimensions (L x W x H)	5.0 x 1.6 x 2.1 in. 127 x 42 x 53mm
Weight	6.1 oz. 218.2g
Illumination Source	Fiber Optics & Tritium
Bolt Speed	TA50-C-400143 (XB1): 300 – 340 fps TA50-C-400144 (XB2): 340 – 400 fps TA50-C-400145 (XB3): 400 – 440+ fps Note: If your bolt speed borders between two models, choose the model with the lower speed.

3x24 XB



Chevron

Dual-Illuminated Chevron, 300-340 fps Bolt Drop Reticle w/ Mount with Trijicon Q-LOC™ Technology

Black:  TA50-C-400391

Dual-Illuminated Chevron, 340-400 fps Bolt Drop Reticle w/ Mount with Trijicon Q-LOC™ Technology

Black:  TA50-C-400392

Dual-Illuminated Chevron, 400-440+ fps Bolt Drop Reticle w/ Mount with Trijicon Q-LOC™ Technology

Black:  TA50-C-400393

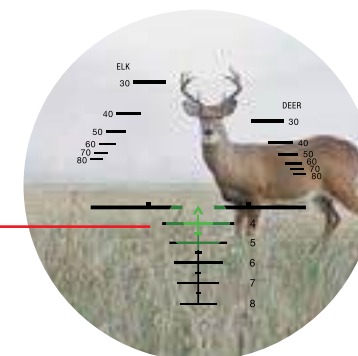
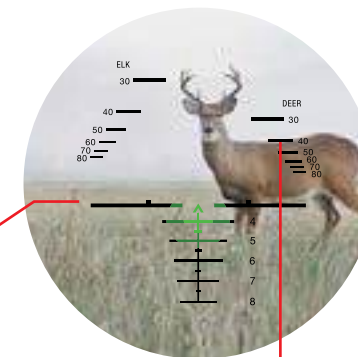
Range Finding Reticle

The ACOG® Crossbow Scope reticle features Bad River Outdoors® patented ranging system for elk and whitetail deer. The three available reticles have varying bolt drop compensators based on your crossbow speed (see next page).

Step 1: Hold the bottom line on the belly/rib cage of animal.

Step 2: Read the back line.
(Ex. this reads 40 yds)

Step 3: Move scope to crosshair that corresponds to the distance. (Ex. stadia line 4)





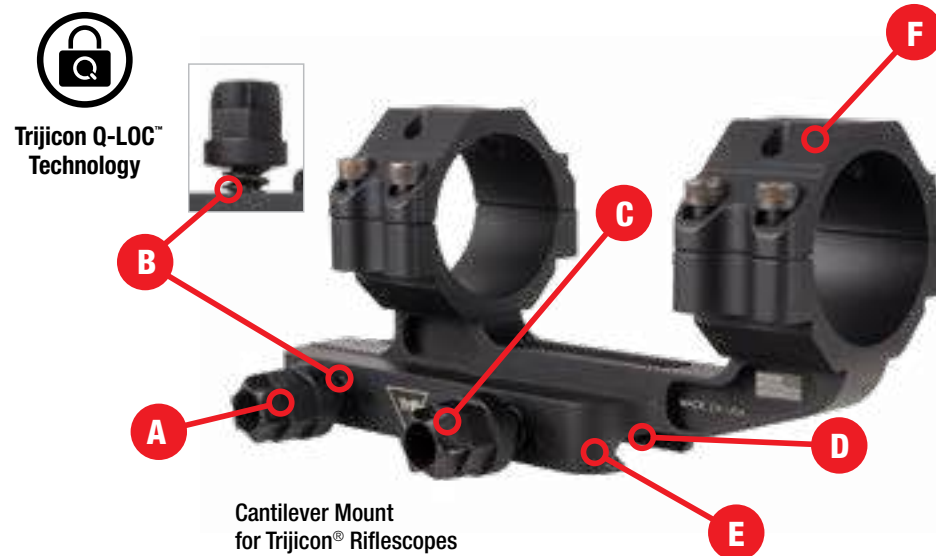
Trijicon®

Quick Release Mounts with Q-LOC™ Technology

STANDARD EQUIPMENT,
HIGHER EQUIPMENT STANDARDS

Designed for the most discerning users of Trijicon red dots, thermal optics, and a wide range of riflescopes, this line of premium specialty mounts features a proprietary design with a spring-loaded attachment mechanism that allows for easy, one-handed attachment. Plus, get superior return to zero performance from redundant design features.

- A Quick-Release, Return to Zero**
Multiple proprietary recoil lugs ensure total rail engagement. Easily remove and re-attach without needing to confirm zero.
- B Fast, One-Handed Mounting**
Heavy-duty springs ensure secure retention under heavy, repeated recoil.
- C Snag-Resistant Knob Design**
Compact, circular design minimizes hazards of gear snags.
- D Precision-Cut Dimensions Accommodate Any Platform**
Ensures optimal placement on MIL-STD 1913, NATO, non-mil spec, and even damaged rails.
- E Trijicon Durability**
Machined from 6061 aluminum for outstanding repeatable performance.
- F Accessory Cap Compatible**
Allows for a full optic solution in one system with multiple mounting locations and plate options to accommodate user needs.



Available for a Variety of Sights



Trijicon® Accessory Cap & Plates

for Mounts with Q-LOC™ Technology

Developed to work in conjunction with Trijicon Quick Release Ring Mounts featuring Q-LOC Technology, the accessory cap and adapter plates allow the user to easily add a secondary optic or additional accessory to their mount, creating an all-in-one aiming solution.

The ambidextrous design allows accessory plates to be attached at a 12 o'clock or left/right 45° offset position. Users not only save rail space, they have the advantage of an incredibly durable mounting solution for both their primary and secondary aiming systems.



Trijicon® Q-LOC™ Accessory Ring (AC22079)

Accessory Ring Cap

- Available for 30mm, 34mm, and 35mm ring mounts
- Works with Trijicon Accessory Plates
- Three Mounting Locations allows the option of a 12 o'clock and 45° offset both right and left



Trijicon® Q-LOC™ Accessory Adapter Plate (AC32117)

Accessory Plate

- Designed to work with RMR® and RMR®cc footprints
- Different plate thicknesses available for optimal balance for optic position and adjuster height/accessibility
- Picatinny rail option available for other additional Picatinny accessories (e.g. laser range finder)



Trijicon® Accessory Ring Cap & Accessory Plate

Accessory Ring Cap and Plate

- Allows for a full optics solution in one system
- Saves rail space
- Precision-cut dimensions
- Allows quick heads-up shooting
- Creates a rigid, incredibly durable mounting configuration for both the optic and the accessory.



Trijicon® Accessory Ring Cap & Accessory Plate



Trijicon® Cantilever Mount with Q-LOC™ Technology



Accessory Caps and Plates are compatible with all Trijicon® Quick Release Ring Mounts featuring Trijicon Q-LOC™ Technology and an assortment of traditional Trijicon Ring Mounts. For more information visit Trijicon.com



Trijicon®

Custom Adjustable Turrets

MAXIMIZE YOUR SCOPE'S PRECISION

Customize your Trijicon® riflescope and maximize its precision elevation adjusters with laser-engraved, adjustable turrets that are built to order by Kenton Industries. Tailored to the user's unique ballistics and environmental factors, these custom-built turrets eliminate the need to convert clicks to distance. Shooters simply range the target, dial the correct yardage noted on the turret, and take the shot with confidence. Users can choose from Speed Dial, Long-Range Hunter or Military configurations.

Range Finding Reticle

Custom adjustable turrets are available for nearly 50 different Trijicon® riflescope models in the following families:

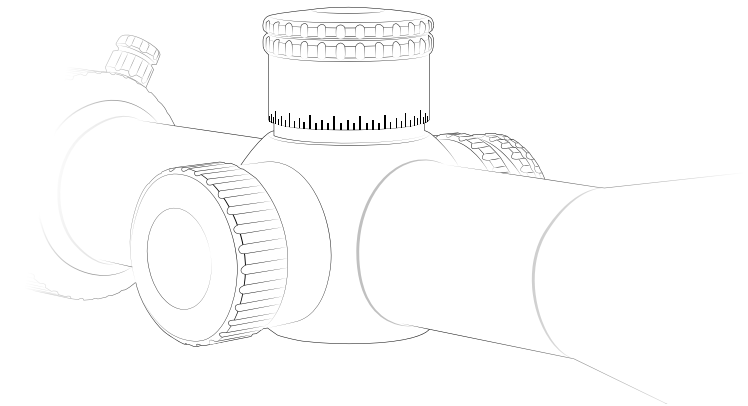


Designing the custom turret is quick and easy.

1. Select your scope model—Credo®, Tenmile®, AccuPoint®, Credo® HX or Tenmile® HX families—and preferred yardage display format.
2. Select the bullet and environmental data.
3. Kenton Industries will do the rest, building a custom Trijicon® turret designed specifically for your rifle/load combination.

Custom adjustable turrets are available for nearly 50 different Trijicon® riflescope models in the following families:

- Credo®
- Credo® HX
- Tenmile®
- Tenmile® HX
- AccuPoint®





Trijicon®

Customer Care

WE STAND BEHIND OUR PRODUCTS

Trijicon® products and technologies have been trusted by the U.S. Military and allies, law enforcement agencies, and civilian shooters and enthusiasts for decades. They're built to work no matter what. However, in the unlikely event of an issue, we offer a Limited Lifetime Warranty.

Trijicon® warrants that our manufactured products will be free from defects in material and workmanship for the lifetime of the original owner. Trijicon will repair or replace (at our option) the registered product. This warranty does not apply to defects caused by anything which is deemed abnormal, abusive or improper, including any fault resulting from an accident or improper service. This warranty specifically applies to the optical systems and metal structure of the product and does not apply to the illumination or electronic system.

VCOG®, LED ACOG®, MGRS®, MRO®, MRO® Patrol, MRO® HD, SRO®, RMR® LED, RMR® Adjustable LED, RMR® cc, RMR® HD, RCR™, Credo®, Credo® HX, Tenmile®, and Tenmile® HX

Electronics are warranted to be free of defects in material and workmanship during normal use for a period of five (5) years from date of original manufacture.

ACOG®, ACOG® XB Scope, RMR® Dual-Illuminated, and AccuPoint®:

The tritium lamp is warranted to glow for fifteen (15) years from date of manufacture for optics with tritium and fiber optic configuration. Optics with tritium only are warranted to glow for ten (10) years from the date of manufacture.

Bright & Tough™ Night Sights, Suppressor/Optic Height Sights, HD™ Night Sights, HD XR™ Night Sights, and DI™ Night Sights:

The tritium lamp is warranted to glow for five (5) years for orange night sights, twelve (12) years for green and yellow night sights from date of original manufacture.

SPECIAL NOTE:

Many Trijicon® products contain tritium and are regulated by the Nuclear Regulatory Commission. THEY MAY NOT BE DISASSEMBLED by anyone other than Trijicon, Inc. which holds the necessary licenses. Any attempt at disassembly or repair will annul this warranty. This warranty gives you specific legal rights, and you may also have other rights which vary from state to state.

CERAKOTE WARRANTY:

Cerakote is a ceramic painting process that is applied over the normal hard-anodized aluminum surface. While it is durable, Cerakote could scratch, dent and/or chip if care is not taken. As such, the Cerakote paint is not warranted against surface damage. The product will continue to be protected by the hard-anodized coating, even if the Cerakote surface is damaged.

ELECTRO OPTICS WARRANTY:

Trijicon® warrants that optical systems and structural housings will be free from defects in material and workmanship for the lifetime of the original owner. Trijicon warrants the electronic systems and components for a period of three (3) years for the original owner from the date of original retail purchase. Trijicon will repair or replace (at our option) the registered product. This warranty does not apply to defects caused by anything which is deemed abnormal, abusive, or improper including any fault resulting from an accident or improper service.

RETURN POLICY

Please return all items to place of purchase. If you purchased the item directly from Trijicon®, Inc. you must call for a return authorization number. Returns that are sent in without a return authorization number will not be accepted. Items being returned for a credit must be accompanied by a copy of the original invoice or purchase order for each item listed in the return for credit. There will be a 20% restocking fee on merchandise returned within six months. Products cannot be returned for credit after six months. Call our Customer Service Team for information at 1-800-338-0563, or visit the Trijicon website at [Trijicon.com](https://www.trijicon.com), for a return authorization number.

REPAIRS

All Trijicon® products are designed and manufactured to provide customers years of reliable performance. In the event your Trijicon product requires factory service or warranty claim evaluation, please use the return authorization process, which is accessed through the Trijicon website under the “Contact” tab on the home page.

EXPORT CONTROLS

Trijicon® products are subject to export and foreign trade control laws of the United States. These include the International Traffic in Arms Regulations (22 C.F.R. § 120-130, “ITAR”), the Export Administration Regulations (15 C.F.R. § 730-774, “EAR”), statutes that provide authority for the ITAR and EAR, and economic sanction laws and regulations administered by the United States Government (including those set forth in 31 C.F.R. Parts 500-598).

The U.S. Department of State strictly regulates exports and re-exports of defense articles and technology. The State Department’s Directorate of Defense Trade Controls is charged with controlling the export of defense articles and defense services covered by the United States Munitions List, in accordance with 22 USC § 2778-2780 of the Arms Export Control Act and the ITAR. Trijicon products listed in this catalog that include the ITAR icon have been designated as defense articles subject to the ITAR. Export of these products from the United States requires prior authorization from the U.S. Department of State.

The U.S. Department of Commerce, Bureau of Industry and Security, is responsible for administration and enforcement of the EAR, which strictly controls the export and re-export of “Dual-Use” commodities and technology that have both commercial and military or proliferation applications. The Commerce Department vigorously enforces such controls for reasons of national security and foreign relations. All products listed in this catalog that do not include the ITAR icon are subject to the EAR. Export of these products from the United States may require prior authorization from the U.S. Department of Commerce.

Diversion contrary to these laws and regulations is prohibited.

CONTACT

Trijicon, Inc.

49385 Shafer Avenue
P. O. Box 930059
Wixom, MI 48393 USA
1-800-338-0563
1-248-960-7700
Fax: 1-248-960-7725



U.S. patents may apply to these products. For details, visit [Trijicon.com/Patents](https://www.trijicon.com/Patents).

© 2024 Trijicon, Inc. | Specifications subject to change without notice. | PML4034-1 Rev 12 01/24





[Trijicon.com](https://www.trijicon.com)